



## DRIFT RIDER™ ELECTRIC DRIFT CYCLE



# OWNER'S MANUAL

**Read and understand this entire manual before allowing child to use this product! For assistance contact Razor. DO NOT RETURN TO STORE.**

**NOTE: Manual illustrations are for demonstration purposes only. Illustrations may not reflect exact appearance of actual product. Specifications subject to change without notice.**

**Please have your product along with the 19 character product I.D. code with you before contacting Razor for warranty assistance and/or replacement parts.**

**Product I.D. Code: \_\_\_\_\_ - \_\_\_\_\_ - \_\_\_\_\_**



# CONTENTS

Safety Warnings .....	1-2	Repair and Maintenance.....	10-17
Before You Begin.....	3	Troubleshooting Guide .....	18
Assembly and Set-up .....	4-7	Drift Rider Parts.....	19
Charging the Battery .....	8	Warranty .....	20
Pre-Ride Checklist.....	8	Contact Information .....	22
Usage .....	9		

# SAFETY WARNINGS

This manual contains many warnings and cautions concerning the consequences of failing to maintain, inspect or properly use your Drift Rider. Because any incident can result in serious injury or even death, we do not repeat the warning of potential serious injury or death each time such a possibility is mentioned.

**⚠ WARNING:** Riding an electric Drift Rider does present potential risks and caution is required. Like any riding product, an electric Drift Rider has inherent hazards associated with its use (for example, falling off or riding it into a hazardous situation). Like any riding product, electric Drift Riders can and are intended to move and it is therefore, of course, possible to lose control or otherwise get into dangerous situations. Both children and adults responsible for supervising them must recognize that if such things occur, a rider can be seriously injured or die, even when using safety equipment and other precautions. Certain conditions may cause the equipment to fail without fault of the manufacturer. RIDE AT YOUR OWN RISK AND USE COMMON SENSE.

This manual contains important safety information. It is your responsibility to review this information and make sure that all riders understand all warnings, cautions, instructions and safety topics, and assure that young riders are able to safely and responsibly use this product. Razor recommends that you periodically review and reinforce the information in this manual with younger riders, and that you inspect and maintain your child's Drift Rider to ensure their safety.

**⚠ WARNING: PARENTAL AND ADULT RESPONSIBILITY AND SUPERVISION IS NECESSARY:** Because products, like electric Drift Riders, can and do present potential hazards plainly associated with their use, it is well recognized THE NEED FOR EXERCISE OF PARENTAL RESPONSIBILITY IN SELECTING RIDING PRODUCTS APPROPRIATE TO THE AGE OF A CHILD, OR PARENTAL SUPERVISION IN SITUATIONS IN WHICH CHILDREN OF VARIOUS AGES MAY HAVE ACCESS TO THE SAME RIDING PRODUCTS, IS IMPORTANT. Not every product is appropriate for every age or size of child, and different age recommendations are found within this category of product which are intended to reflect the nature of the hazards and the expected mental or physical ability, or both, of a child to cope with the hazards.

**The recommended rider age is 9 and older.** Any rider unable to fit comfortably on the Drift Rider should not attempt to ride it. A parent's decision to allow his or her child to ride this product should be based on the child's maturity, skill and ability to follow rules. Razor emphasizes that adults are strongly advised not to disregard Razor's recommendations or permit younger children to ride the Drift Rider.

**Keep this product away from small children and remember that it is intended for use only by persons who are, at a minimum, completely comfortable and competent while operating the Drift Rider.**

Persons with any mental or physical conditions that may make them susceptible to injury, impair their physical dexterity or mental capabilities to recognize, understand, and follow safety instructions and to be able to understand the hazards inherent in Drift Rider use, should not use or be permitted to use products inappropriate for their abilities. Persons with heart conditions, head, back or neck ailments (or prior surgeries to these areas of the body), or pregnant women, should be cautioned not to operate such products.

**DO NOT EXCEED THE WEIGHT LIMIT OF 143 lb (65 kg). Rider weight does not necessarily mean a person's size is appropriate to fit or maintain control of the Drift Rider.**

## CHECK AND MAINTAIN DRIFT RIDER CONDITIONS

Before use, confirm that any and all guards or other covers are in place and in serviceable condition. Check that the wheels are free of flat spots from wear. Always inspect product before riding and regularly maintain it. Replace worn or damaged parts immediately. Check brake for proper function. When you squeeze the lever, brake should provide positive braking action. The product should be maintained and repaired in accordance with the manufacturer's specifications, using only the manufacturer's authorized replacement parts, and should not be modified from the manufacturer's original design and configuration.

## ACCEPTABLE RIDING PRACTICES AND CONDITIONS

**Always check and obey any local laws or regulations which may affect the locations where the electric Drift Rider may be used. Keep safely away from cars and motor vehicle traffic at all times, and only use where allowed and with caution.**

Do not activate the throttle on the hand grip unless you are on the Drift Rider and in a safe, outdoor environment, suitable for seated riding.

The normal powered top speed of this Drift Rider will be approximately 9 mph (14 km/h), which can be affected by conditions, such as rider weight, inclines, and battery charge level. Avoid excessive speeds that can be associated with downhill rides.

Maintain a hold on the handlebars at all times. Do not touch the brake or hub motor on your Drift Rider when in use or immediately after riding as these parts can become very hot.

Ride defensively. Watch out for potential obstacles that could catch your wheel or force you to swerve suddenly or lose control. Be careful to avoid pedestrians, skaters, skateboards, Drift Riders, bikes, children or animals who may enter your path, and respect the rights and property of others.

The electric Drift Rider is intended for use on flat, dry surfaces, such as pavement or level ground, without loose debris, such as sand, leaves, rocks or gravel. Wet, slick, bumpy, uneven or rough surfaces may impair traction and contribute to possible accidents. Do not ride your product in mud, ice, puddles or water. Avoid sharp bumps, drainage grates, and sudden surface changes.

Do not attempt or do stunts or tricks on your electric Drift Rider. The Drift Rider is not made to withstand abuse from misuse, such as jumping, curb grinding or any other type of stunts. Racing, stunt riding, or other maneuvers also enhance risk of loss of control, or may cause uncontrolled rider actions or reactions.

Never allow more than one person at a time to ride the product.

Do not ride at night or when visibility is limited.

Never use near steps or swimming pools.

Do not allow hands, feet, hair, body parts, clothing, or similar articles to come in contact with moving parts or wheels, while the motor is running.

Never use headphones, a cell phone or text when riding.

Never hitch a ride with a vehicle.

Do not ride your product in wet or icy weather and never immerse in water, as the electrical and drive components could be damaged by water or create other possibly unsafe conditions. Never risk damaging surfaces, such as carpet or flooring, by use of an electric Drift Rider indoors.

# SAFETY WARNINGS

## **PROPER RIDING ATTIRE**

Always wear proper protective equipment, such as an approved safety helmet (with chin strap securely buckled), elbow pads, and kneepads. A helmet may be legally required by local law or regulation in your area. A long-sleeved shirt, and long pants are recommended. Always wear shoes and keep shoelaces tied and out of the way of the wheels and motor. Never ride barefooted or in sandals.

## **USING THE CHARGER**

The charger supplied with the electric Drift Rider should be regularly examined for damage to the cord, plug, enclosure and other parts. In the event of such damage, the product must not be charged until the charger has been repaired or replaced.

Use only with the recommended charger.

Use caution when charging.

The charger is not a toy. Charger should be operated by an adult.

Do not operate charger near flammable materials.

Unplug charger and disconnect from product when not in use.

Always disconnect from the charger prior to wiping down and cleaning your product with damp cloth.

**FAILURE TO USE COMMON SENSE AND HEED THE ABOVE WARNINGS FURTHER INCREASES RISK OF SERIOUS INJURY. USE AT YOUR OWN RISK AND WITH APPROPRIATE AND SERIOUS ATTENTION TO SAFE OPERATION. USE CAUTION.**

# BEFORE YOU BEGIN

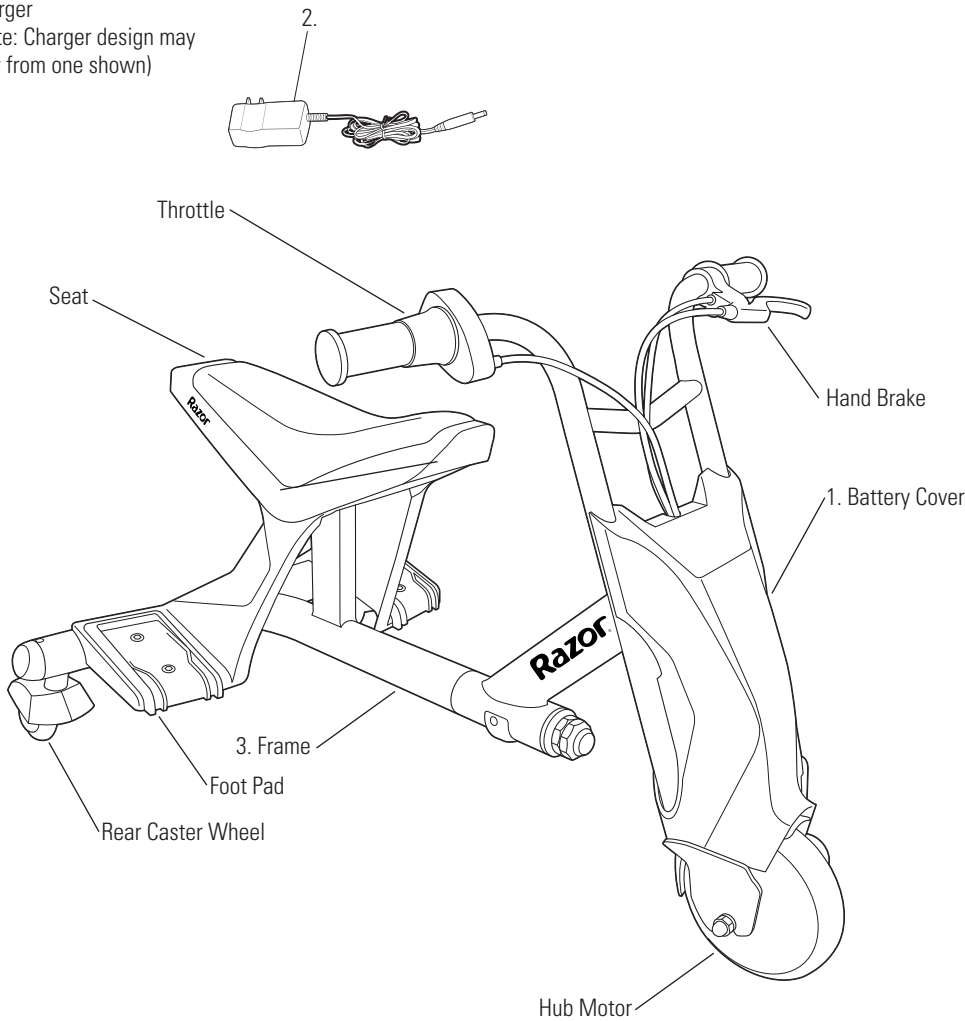
Remove contents from box. Remove the separators that protect the components from damage during shipping. Inspect the contents of the box for scratches in the paint or dents that may have occurred during shipping. Because your product was partially assembled and packed at the factory there should not be any problems, even if the box has a few scars or dents.

**MAKE SURE POWER SWITCH IS TURNED "OFF" BEFORE CONDUCTING ANY ASSEMBLY OR MAINTENANCE PROCEDURES.**

## Estimated Assembly and Set-Up Time

Allow up to 15-20 minutes for assembly, not including initial charge time.  
Allow up to 5 hours for charge (see page 8 for charging information).

Charger  
(Note: Charger design may vary from one shown)



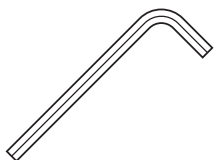
**WARNING:** DO NOT USE NON-RAZOR PRODUCTS WITH YOUR Drift Rider.

The Drift Rider has been built to certain Razor design specifications. The original equipment supplied at the time of sale was selected on the basis of its compatibility with the frame, fork and all other parts. Certain aftermarket products may not be compatible and will void your warranty.

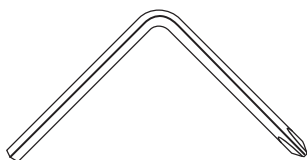
**Product ID Locations:**  
(See locations to the left)

1. Behind Battery Cover
2. Charger
3. Underneath Frame

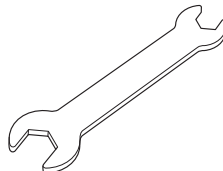
## Required Tools



5 mm Allen Wrench



Phillips Screwdriver /  
5 mm Allen Wrench  
(Combination Tool)



10 mm / 13 mm Wrench

**Plastic Bag Contents:**

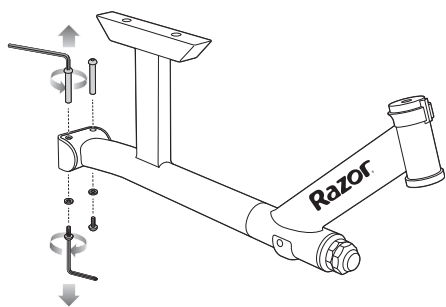
- Charger
- Tools
- Owner's Manual
- Eight (8) Phillips Screws

**Need Help?** Visit our website for replacement parts, product support, a list of authorized service centers in the US and customer service contact information at [www.razor.com](http://www.razor.com). Please have the product I.D. code (located on the white label of your product) available for better assistance. Additional Customer Service contact information is listed at the back of this manual.

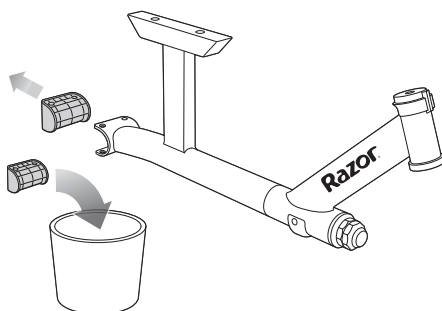
# ASSEMBLY AND SET-UP

## ▣ Attaching the Frame

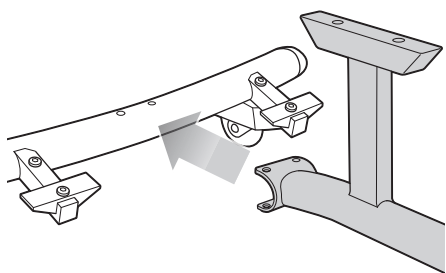
**Required Tools:** Two (2) 5 mm Allen wrenches



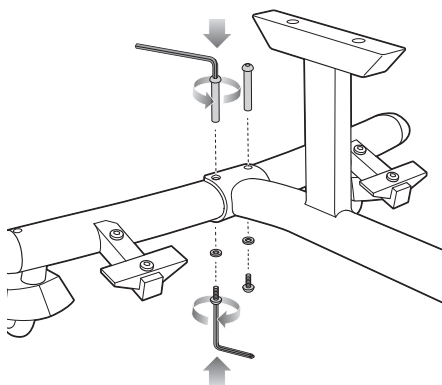
**1** Using the two (2) 5 mm Allen wrenches, remove the two (2) coupling bolts at the end of the frame.



**2** Remove and discard the plastic insert.



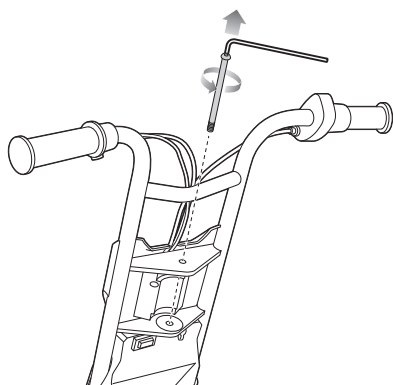
**3** Insert the rear frame into the wheel assembly.



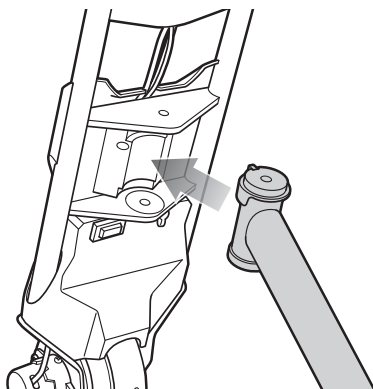
**4** Securely tighten the two (2) coupling bolts on the rear frame using the two (2) 5 mm Allen wrenches.

## ▣ Attaching the Handlebar Unit

**Required Tool:** 5 mm Allen wrench



**1** Using the 5 mm Allen wrench, remove the steering bolt from the handlebar unit.



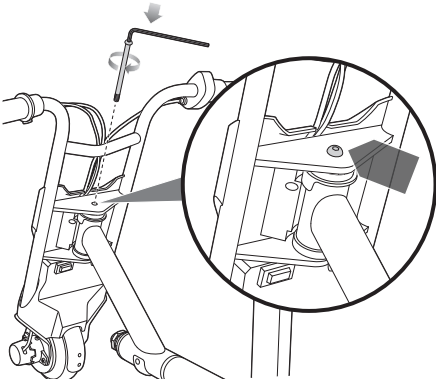
**2** Insert the frame and wheel assembly into the handlebar unit.

**Need Help?** Visit our website for replacement parts, product support, a list of authorized service centers in the US and customer service contact information at [www.razor.com](http://www.razor.com). Please have the product I.D. code (located on the white label of your product) available for better assistance. Additional Customer Service contact information is listed at the back of this manual.

# ASSEMBLY AND SET-UP

## □ Attaching the Handlebar Unit Cont.

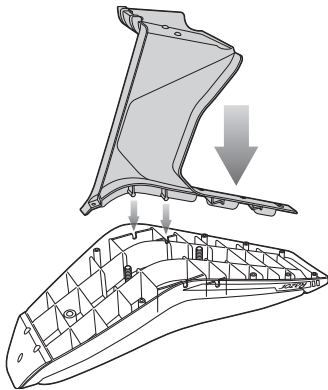
Required Tool: 5 mm Allen wrench



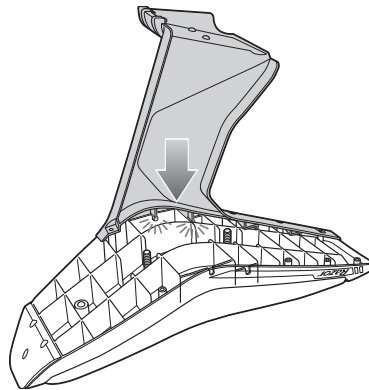
**3** Reinsert the steering bolt and secure using the 5 mm Allen wrench.

## □ Attaching the Seat

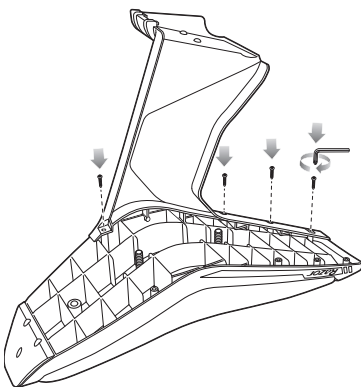
Required Tools: 5 mm Allen wrench, Phillips screwdriver, 13 mm wrench.



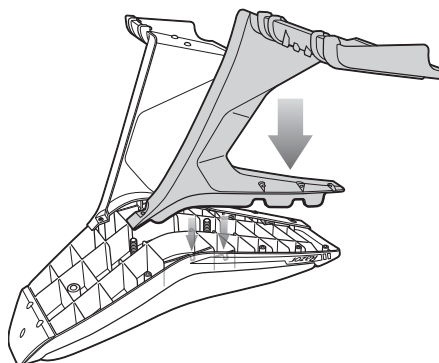
**1-1** Insert left foot support into seat.



**1-2** Press firmly until click is heard.



**2** Install the four (4) screws (included in bag with the manual) using the Phillips screwdriver.



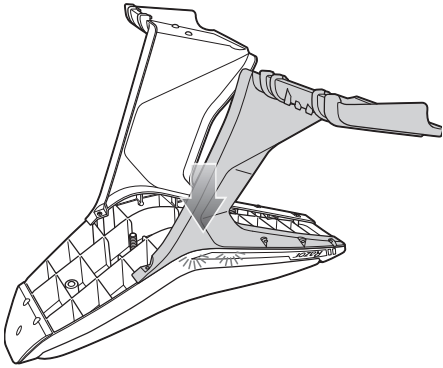
**3-1** Insert right foot support into seat.

**⚠ WARNING:** Failing to properly tighten the steering bolt that attaches the front fork assembly to the down tube assembly can cause you to lose control and fall.

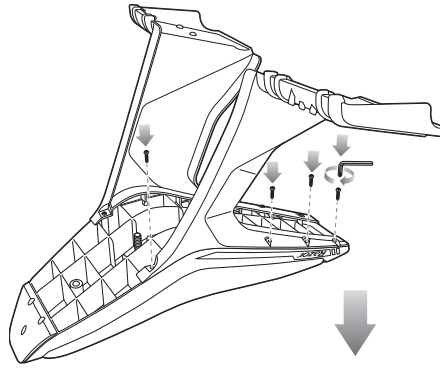
# ASSEMBLY AND SET-UP

## Attaching the Seat Cont.

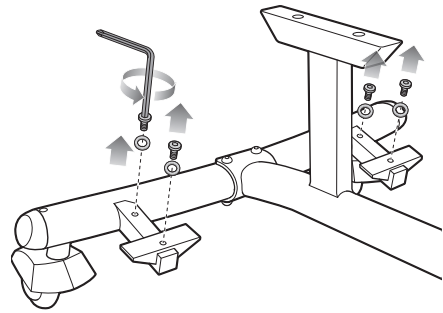
**Required Tools:** 5 mm Allen wrench, Phillips screwdriver, 13 mm wrench.



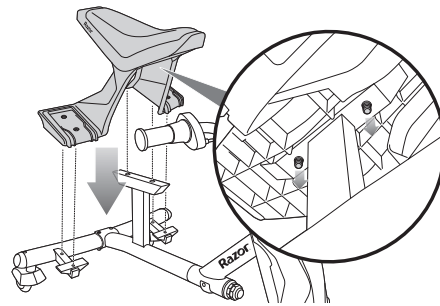
**3-2** Press firmly until click is heard.



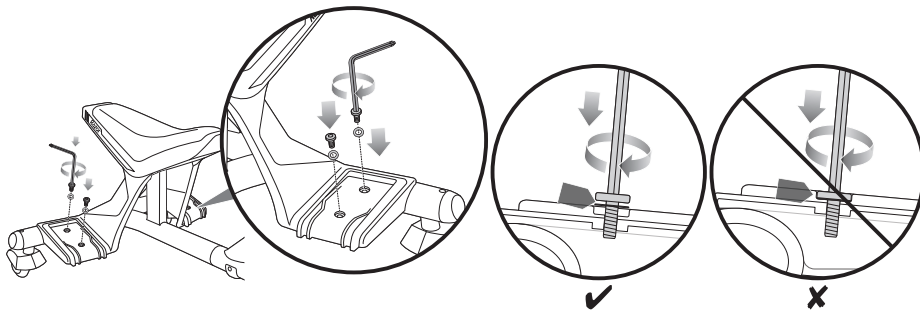
**4** Install the four (4) screws (included in bag with the manual) using the Phillips screwdriver.



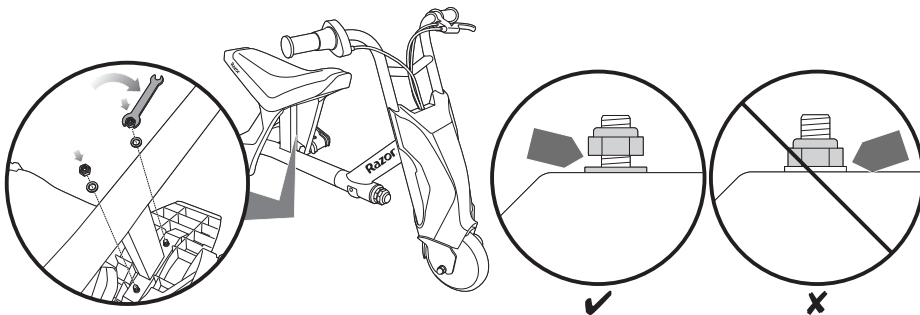
**5** Remove four (4) foot rest bolts using the 5 mm Allen wrench.



**6** Install seat/foot rest assembly.



**7** Install four (4) foot pad bolts with washers loosely using the 5 mm Allen wrench.



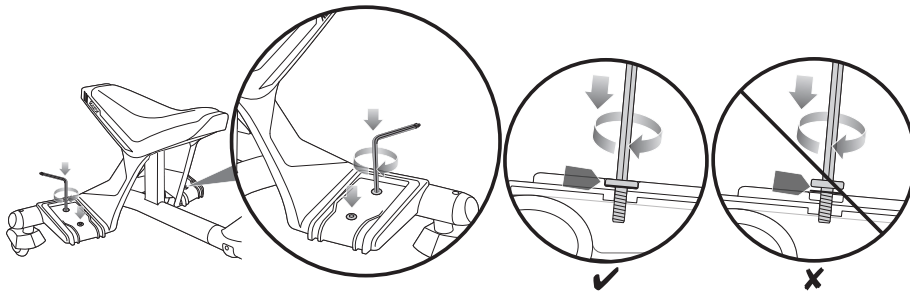
**8** Install two (2) seat flat washers and nuts loosely using the 13 mm wrench.



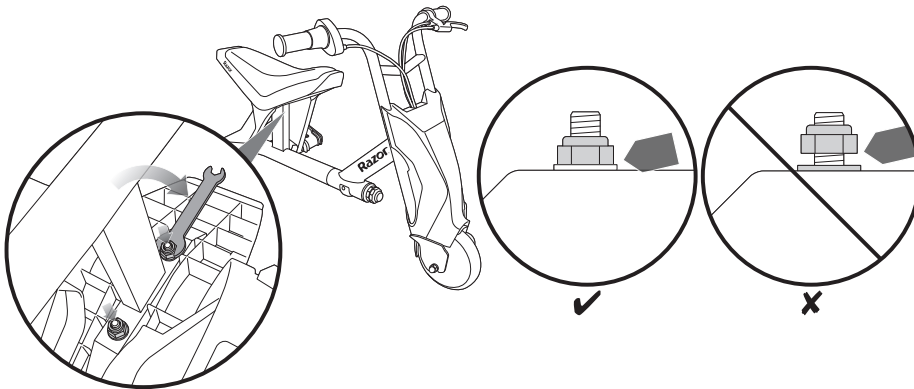
# ASSEMBLY AND SET-UP

## □ Attaching the Seat Cont.

**Required Tools:** 5 mm Allen wrench, Phillips screwdriver, 13 mm wrench.

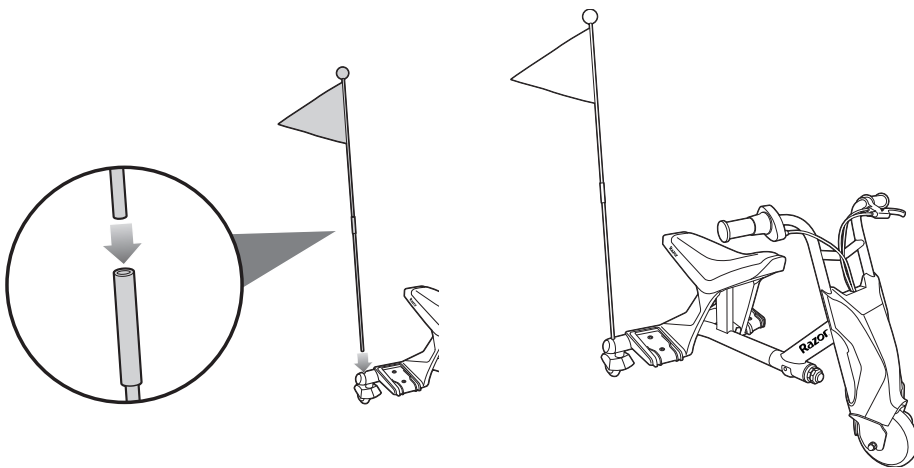


**9** Tighten four (4) foot pad bolts using the 5 mm Allen wrench.



**10** Tighten two (2) seat flat washers and nuts using the 13 mm wrench.

## □ Attaching the Flag



**1** Assemble flag as shown and insert flag into fixed hole located on the rear of the frame.

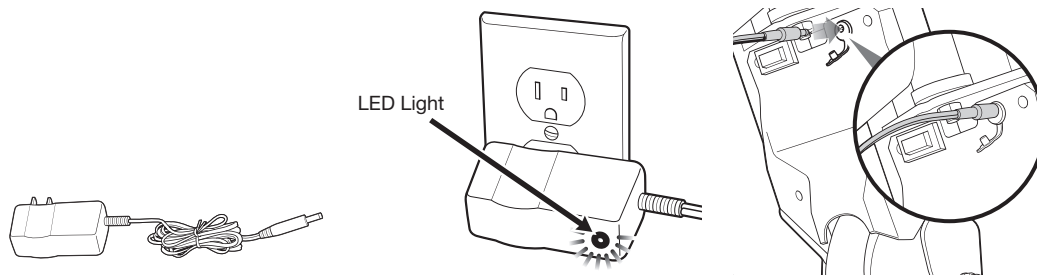
**2** Assembly complete.

**Need Help?** Visit our website for replacement parts, product support, a list of authorized service centers in the US and customer service contact information at [www.razor.com](http://www.razor.com). Please have the product I.D. code (located on the white label of your product) available for better assistance. Additional Customer Service contact information is listed at the back of this manual.

# CHARGING THE BATTERY

Your Drift Rider may not have a fully charged battery; therefore it is a good idea to charge the battery prior to use. Be sure to charge the battery in a clean, dry location away from direct sunlight, flames or sparks.

- Initial charge time: 5 hours.
- Recharge time: up to 5 hours, even if the light turns green. Recommended maximum charging time is 24 hours.
- Always charge the battery immediately after riding.
- Fully charge battery before storing for extended periods of time.
- Unplug charger from the wall outlet when not in use.
- Failure to recharge battery periodically may result in a battery that will not accept a charge.
- Make sure power switch is turned **OFF** when unit is not in use. If the power switch is left on for an extended period of time, the battery may reach a stage at which it will no longer hold a charge.
- Run time: Up to 40 minutes of continuous ride time. Run time may vary depending on riding conditions, rider weight, climate and/or proper maintenance.
- Constant stopping and starting may shorten ride time.
- Battery life can vary depending on proper maintenance and usage of the product.



Charger  
(Note: Charger design may vary from one shown)

**1** Plug the charger into wall outlet. The light on the charger should be green.  
**Note:** If green light (LED) does not turn on, try a different outlet

**2** **Note:** Make sure power button is in the **OFF** position. Plug the charger into the charger port. The light on the charger should turn red during charging. The light will turn green again when charging is complete.

**⚠ WARNING:** Use **ONLY** with the recommended charger. Batteries are only to be charged under adult supervision. The charger is not a toy. Always disconnect the charger before wiping down and/or cleaning the Drift Rider with a damp cloth.

The charger supplied with the Drift Rider should be regularly examined for damage to the cord, plug, enclosure and other parts. In the event of such damage, the Drift Rider must not be charged until it has been repaired or replaced.

Chargers have built-in over-charge protection to prevent battery from being over-charged.

Note: If the charger gets warm during regular use, this is a normal response and is no cause for concern. If your charger does not get warm during use, it does not mean that it is not working properly.

Wall outlet - Green (ready)  
Wall outlet and unit - Red (charging)  
Wall outlet and unit - Green (charged)

**Note:** Continue charging unit even if light turns green prior to 5 hours.

**⚠ WARNING:** Battery charge can deplete over time. Periodically recharge battery when not in use.

# PRE-RIDE CHECKLIST

**Brake**  
Check the brake for proper function. When you squeeze the lever, the brake should provide positive braking action. Make sure that brake is not rubbing when the lever is released. When you apply the brake with the throttle on/engaged, the brake cut-off switch should cut power to the motor.

**Wheels**  
Periodically inspect the wheels for excess wear. Practice drift riding only in wide open areas clear from curbs, parking blocks and other obstacles. Impacting the wheels against any hard surface can damage the wheels. Wheels are not covered under your limited warranty.

**Frame, Fork and Handlebars**  
Check for cracks or broken connections. Although broken frames are rare, it is possible for an aggressive rider to run into a curb or object and wreck, bend or break a frame. Get in the habit of inspecting your product on a regular basis.

**Hardware/Loose Parts**  
Before every ride, check all parts, such as nuts, bolts, cables, fasteners, etc., to ensure they are secure and assembled correctly. There should not be any unusual rattles or sounds from loose parts or broken components. If the unit is damaged, do not ride. **Reference "Safety Warnings" on pages 1 and 2 of this manual.**

**Safety Gear**  
Always wear proper protective equipment, such as an approved safety helmet (with chin strap securely buckled), elbow pads, and kneepads. A helmet may be legally required by local law or regulation in your area. A long-sleeved shirt and long pants are recommended. Always wear shoes and keep shoelaces tied and out of the way of the wheels and motor. **NEVER RIDE BAREFOOTED OR IN SANDALS.**

**Laws and Regulations**  
Always check and obey any local laws or regulations.

**Insurance**  
Do not assume that your existing insurance policies necessarily provide coverage for product use. Check with your insurance company for information regarding insurance.

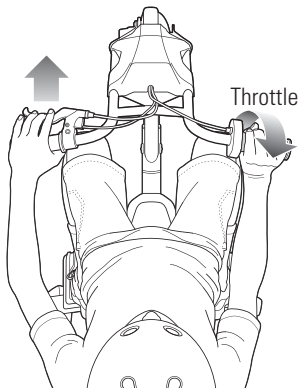
# USAGE

## Starting the Drift Rider

Do not activate the throttle unless you are on the product and in a safe, outdoor environment suitable for riding.

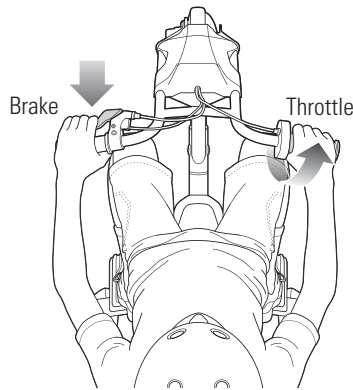
To start the unit, turn the power switch "ON". Place both hands on the handlebars and apply the throttle with right hand.

**Note:** Keep both feet on the foot pads when unit is in motion.



## Stopping the Drift Rider

To stop the unit, release the throttle and apply the brake until the unit comes to a complete stop. Razor recommends that you practice applying the brake at various speeds and in an open area free from obstructions before riding your product around others.



**Note:** As an additional safety feature, this product is designed to cut power to the motor when the hand brake is applied.

**Note:** Practice riding only in wide open areas clear from curbs, parking blocks and other obstacles. Impacting the wheels against any hard surface can damage the wheels. Wheels are not covered under the limited warranty.

### **WARNING:**

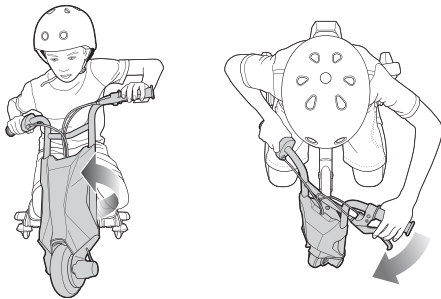
When riding, both feet must be placed securely on foot pads.

## Turning and Maneuvering

The Drift Rider uses a unique compound steering mechanism to control turning, cornering and drifting maneuvers.

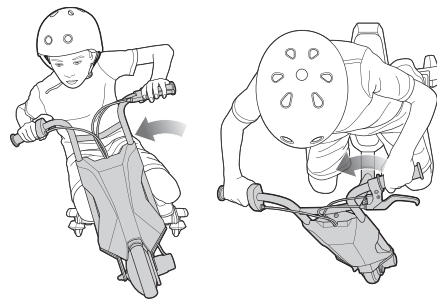
### Simple Steering

Drift Rider can steer left and right just like any bike or trike.



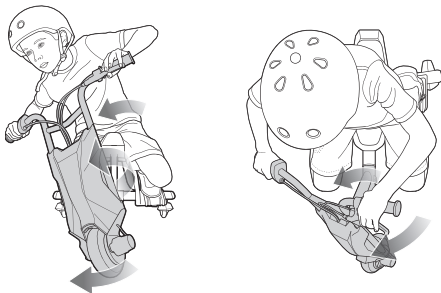
### Leaning

The entire front fork and handle bars can lean from side to side like a motorcycle when cornering. This helps stability when moving quickly.



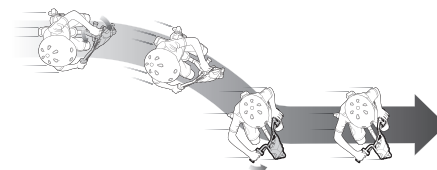
### Combination Turning

Use a combination of Steering and Leaning mentioned above to control drifting and maneuvers.



### Drifting

Once a turn has been initiated, use Combination Turning to counter steer (steering in the direction of travel) to hold the drift. Practice at low speeds to develop your skills.



**Need Help?** Visit our website for replacement parts, product support, a list of authorized service centers in the US and customer service contact information at [www.razor.com](http://www.razor.com). Please have the product I.D. code (located on the white label of your product) available for better assistance. Additional Customer Service contact information is listed at the back of this manual.

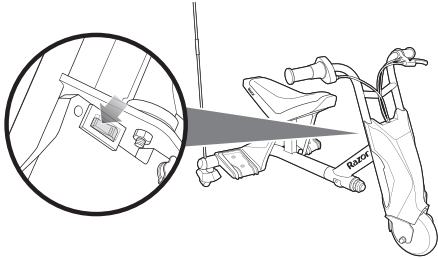
# REPAIR AND MAINTENANCE

Turn power switch "OFF" before beginning repair or maintenance:

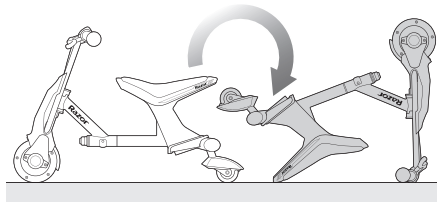
- Read the instructions
- Remove charger plug
- Turn the power switch off
- Secure the unit under repair
- Exercise caution around exposed parts
- Contact Razor customer service if unsure about any repair or maintenance

## ▣ Hub Motor Replacement

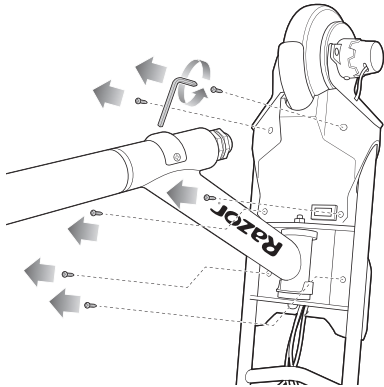
**Required Tools:** Phillips screwdriver.



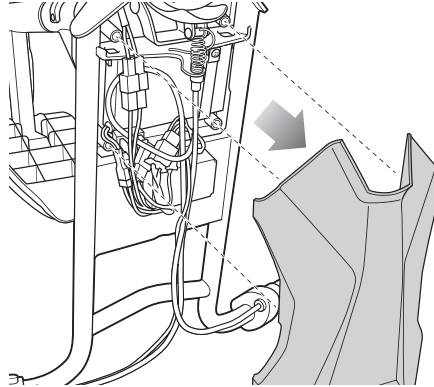
**1** Power switch in OFF position.



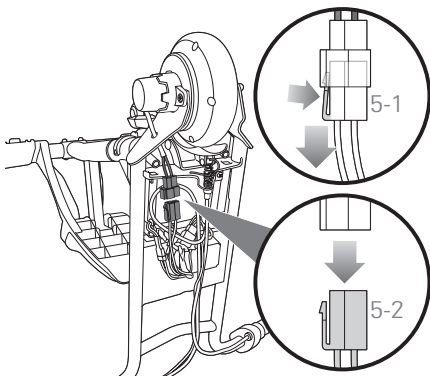
**2** Remove flag and rotate onto handlebars.



**3** Remove six (6) Phillips head screws using the Phillips screwdriver.



**4** Remove front battery cover.

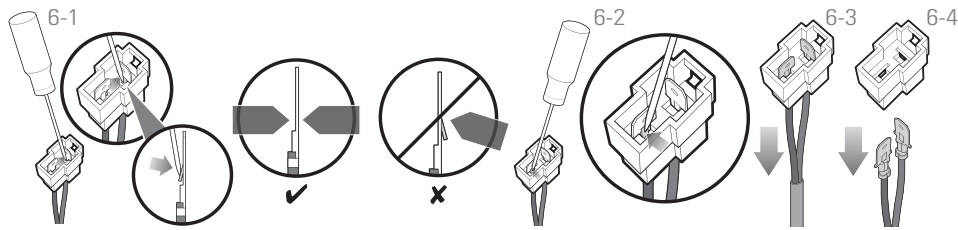


**5** Disconnect motor cables.

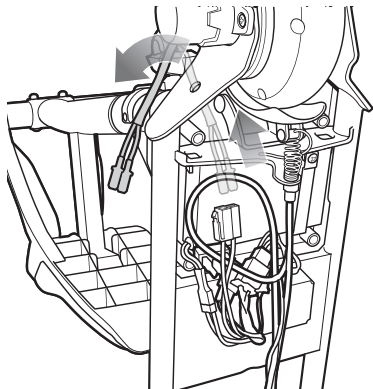
# REPAIR AND MAINTENANCE

## Hub Motor Replacement Cont.

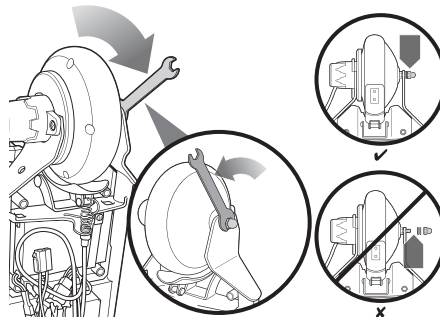
**Required Tools:** Phillips screwdriver, 13 mm wrench, awl for opening out wire prongs.



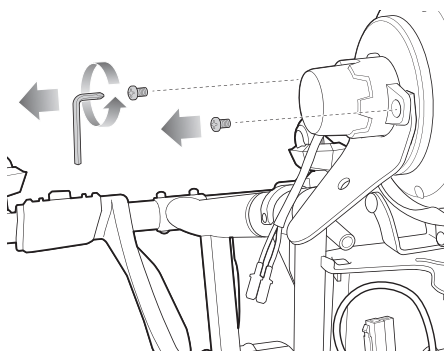
**6** Remove motor cable wires from connector using an awl.



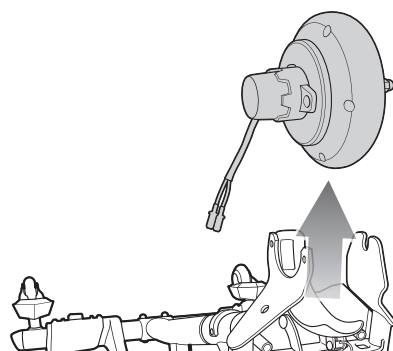
**7** Pull motor cable out of battery compartment.



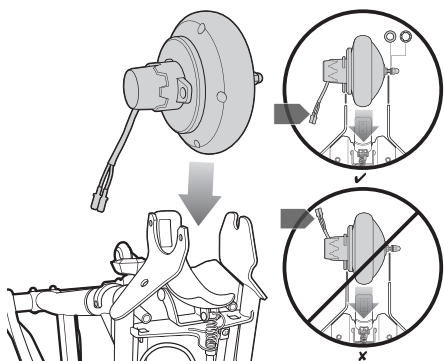
**8** Loosen axle nut using the 13 mm wrench. Do not remove.



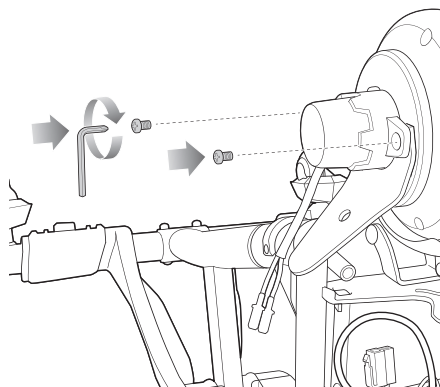
**9** Remove two (2) motor housing screws using the Phillips screwdriver.



**10** Remove wheel unit.



**11** Install new wheel unit.



**12** Install two (2) motor housing screws using the Phillips screwdriver.

**Note:** When re-inserting the motor wires into the connector, make sure the red wire connects to the blue wire and the black wire connects to the yellow wire.

**Note:**

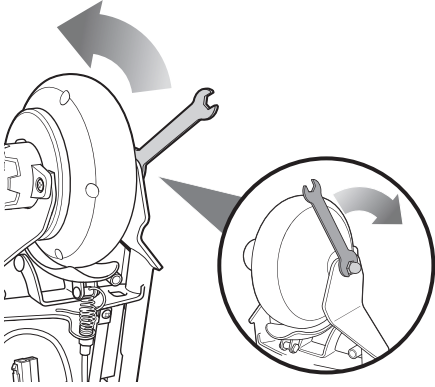
Motor	Control Module
Red	↔ Blue
Black	↔ Yellow

**Need Help?** Visit our website for replacement parts, product support, a list of authorized service centers in the US and customer service contact information at [www.razor.com](http://www.razor.com). Please have the product I.D. code (located on the white label of your product) available for better assistance. Additional Customer Service contact information is listed at the back of this manual.

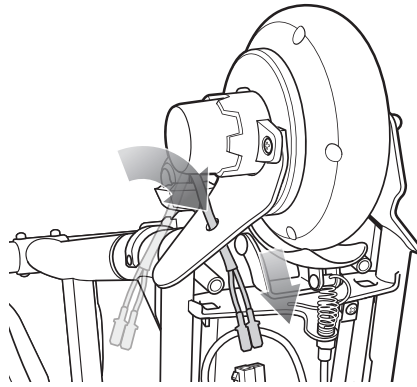
# REPAIR AND MAINTENANCE

## Hub Motor Replacement Cont.

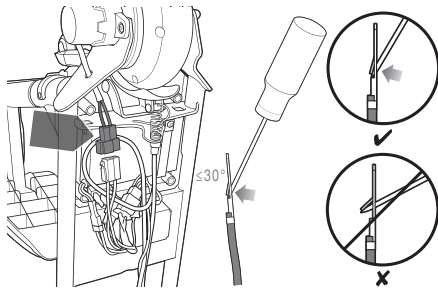
**Required Tools:** 13 mm wrench, awl for opening out wire prongs.



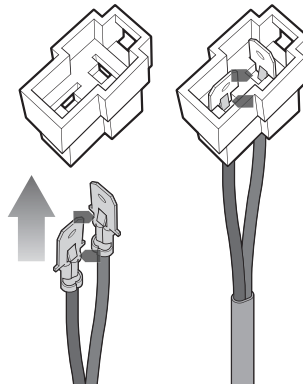
**13** Tighten axle nut using the 13 mm wrench.



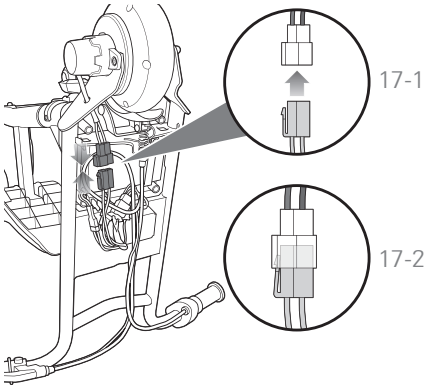
**14** Insert motor cable through hole



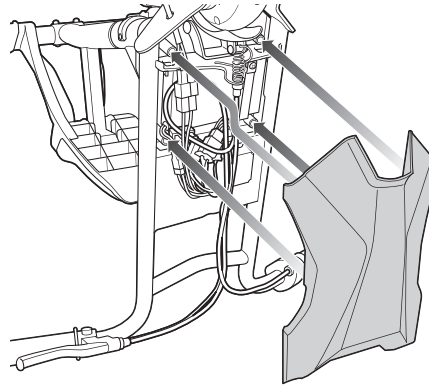
**15** Open out wire prongs using an awl.  
(Red & Black wires)



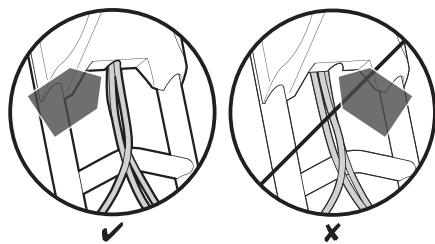
**16** Insert motor cable wires into connector



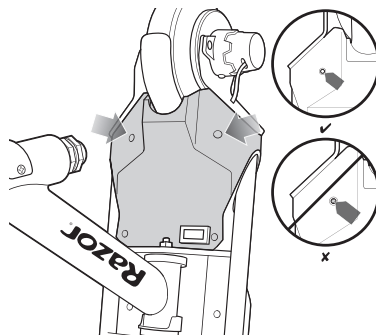
**17** Connect motor cables.



**18** Replace front cover plate.



**19** Make sure cables and wiring are aligned correctly.

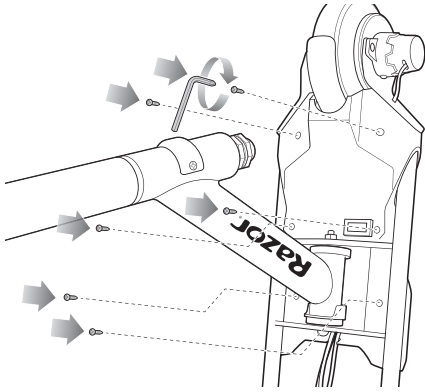


**20** Inspect back side for cables and wiring.

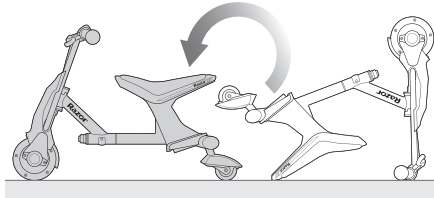
# REPAIR AND MAINTENANCE

## ▣ Hub Motor Replacement Cont.

**Required Tools:** Phillips screwdriver, 13 mm wrench, awl for opening out wire prongs.



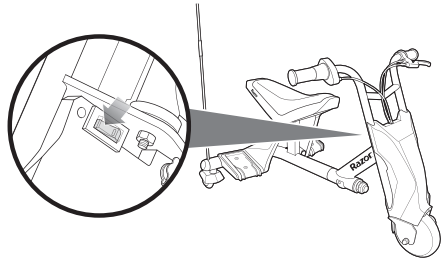
**21** Replace six (6) Phillips head screws using the Phillips screwdriver.



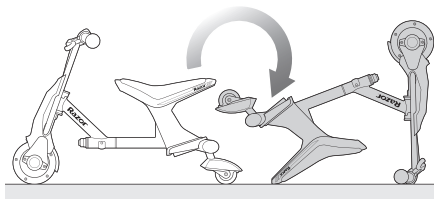
**22** Rotate upright and replace flag.

## ▣ Battery Replacement

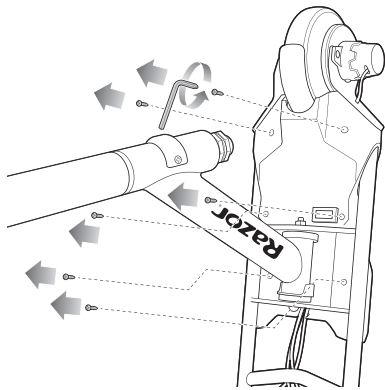
**Required Tool:** Phillips screwdriver.



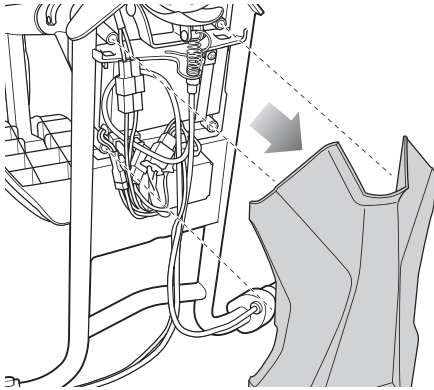
**1** Power switch in OFF position.



**2** Remove flag and rotate onto handlebars.



**3** Remove six (6) Phillips head screws using the Phillips screwdriver.



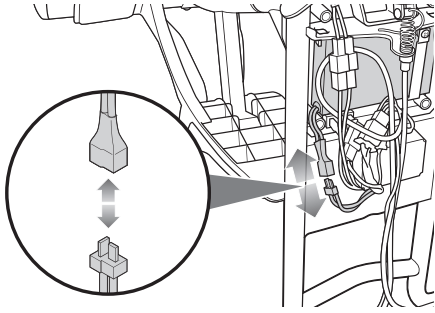
**4** Remove front cover plate.

**Need Help?** Visit our website for replacement parts, product support, a list of authorized service centers in the US and customer service contact information at [www.razor.com](http://www.razor.com). Please have the product I.D. code (located on the white label of your product) available for better assistance. Additional Customer Service contact information is listed at the back of this manual.

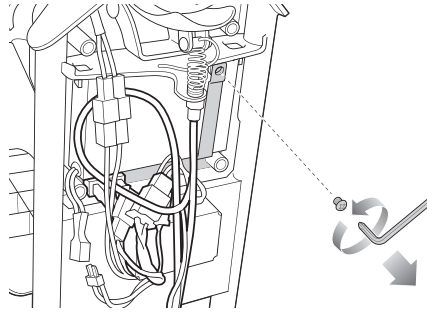
# REPAIR AND MAINTENANCE

## □ Battery Replacement Cont'd

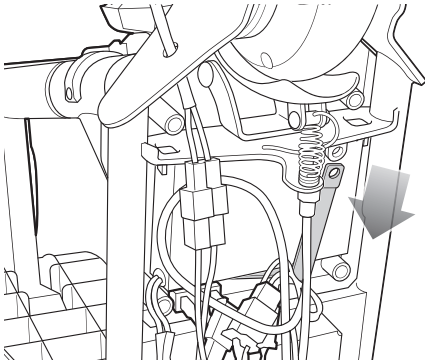
Required Tool: Phillips screwdriver



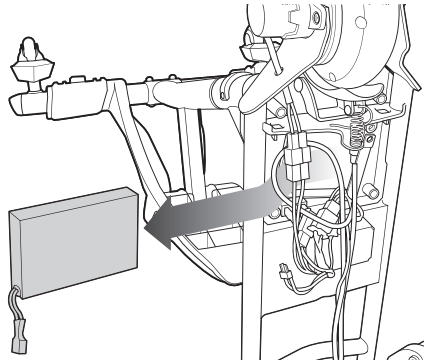
**5** Disconnect battery cables.



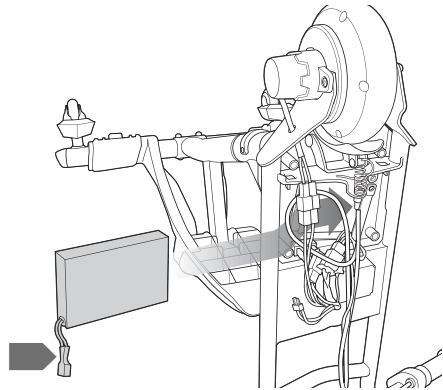
**6** Remove battery bracket screw using the Phillips screwdriver.



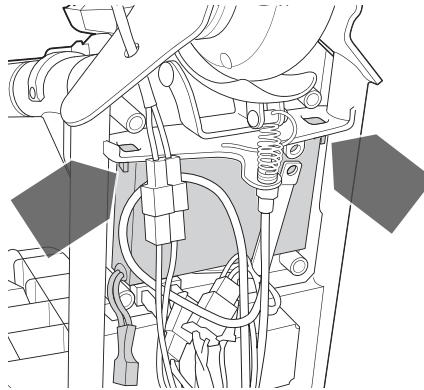
**7** Loosen battery bracket.



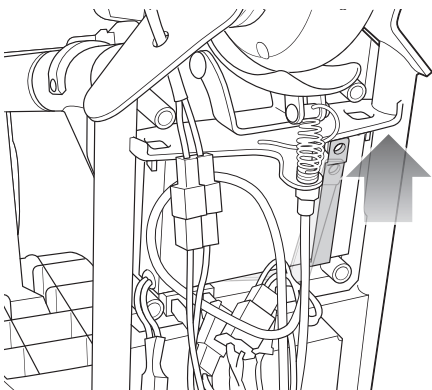
**8** Remove battery.



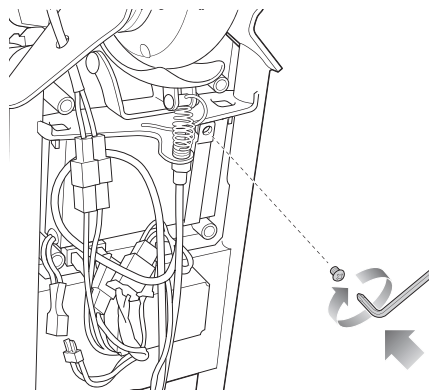
**9** Install new battery. (Note orientation of cable)



**10** Secure battery between vertical pegs.



**11** Rotate battery bracket up.



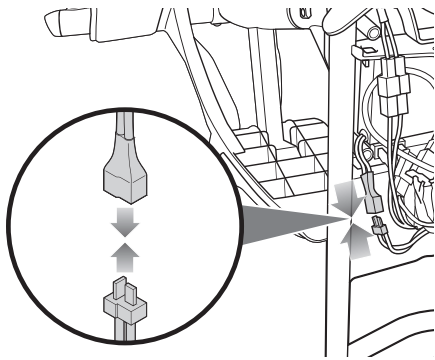
**12** Replace battery bracket screw using the Phillips screwdriver.



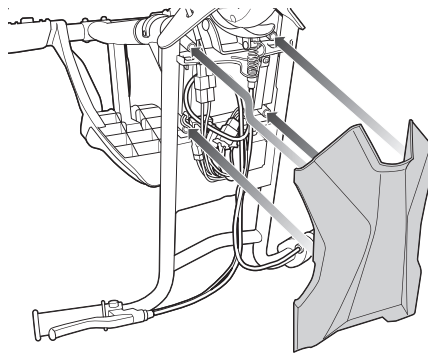
# REPAIR AND MAINTENANCE

## □ Battery Replacement Cont'd

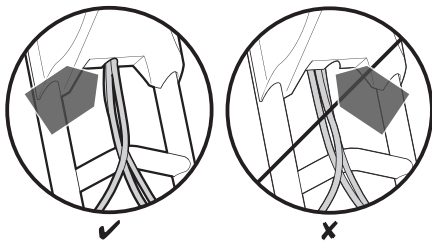
Required Tool: Phillips screwdriver



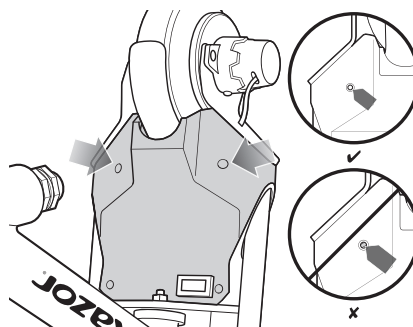
**13** Connect battery cables.



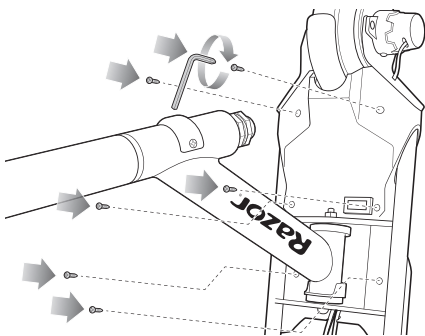
**14** Replace front cover.



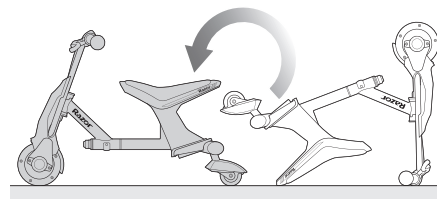
**15** Make sure cables and wiring are aligned correctly.



**16** Inspect back side for cables and wiring.

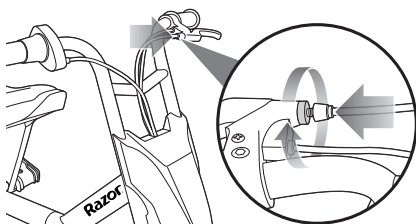


**17** Replace six (6) Phillips head screws using the Phillips screwdriver.

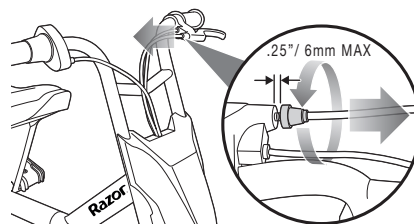


**18** Rotate upright and replace flag.

## □ Adjusting the Brakes



**1** To adjust the brake cable tension, thread the brake lever adjuster in or out 1/4 to 1/2 turn until the desired brake adjustment is attained.

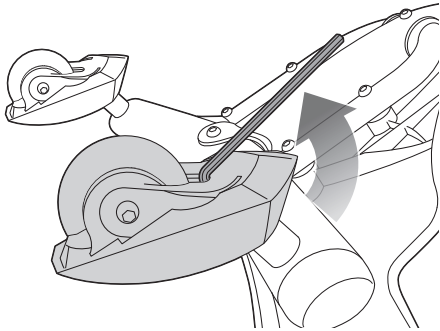


**Need Help?** Visit our website for replacement parts, product support, a list of authorized service centers in the US and customer service contact information at [www.razor.com](http://www.razor.com). Please have the product I.D. code (located on the white label of your product) available for better assistance. Additional Customer Service contact information is listed at the back of this manual.

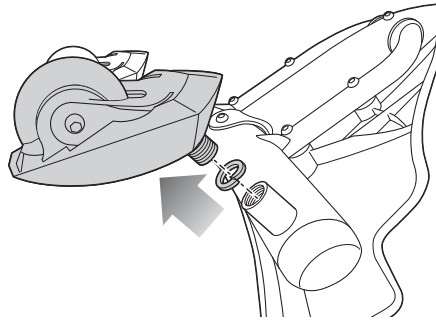
# REPAIR AND MAINTENANCE

## ▣ Replace Rear Casters

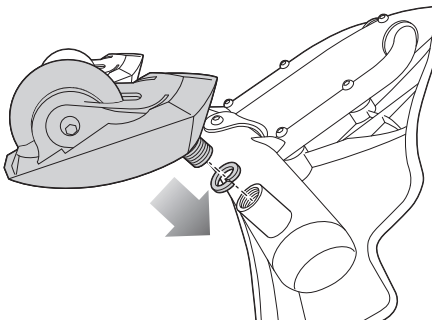
Required Tool: 5 mm Allen wrench



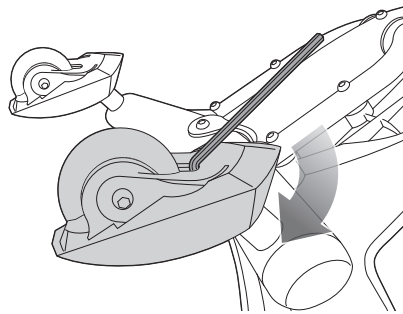
**1** Loosen caster bolt using the 5 mm Allen wrench.



**2** Remove caster and lock washer.



**3** Install caster and lock washer.



**4** Tighten caster bolt using the 5 mm Allen wrench.

# REPAIR AND MAINTENANCE

## ❑ Cleaning Your Drift Rider

Wipe with a damp cloth to remove dirt and dust. Do not use industrial cleaners or solvents as they may damage the surfaces. Do not use alcohol, alcohol-based or ammonia-based cleaners as they may damage or dissolve the plastic components or soften the decals or decal adhesive.

## ❑ Battery Care and Disposal

- Do not store in freezing or below freezing temperatures. To properly maintain your battery and ensure maximum battery life, carefully read the "Charging the Battery" section on page 8 of this owner's manual.
- Battery pack should not be disassembled, crushed, punctured, opened or otherwise mutilated.



**Disposal:** Your Drift Rider uses a lithium-ion battery pack which must be recycled or disposed of in an environmentally safe manner. Do not dispose of a battery pack in a fire. The battery pack may explode.

Do not dispose of a battery pack in your regular household trash. The incineration, land filling or mixing of batteries with household trash is prohibited by law in most areas. Return exhausted batteries to a federal or state approved lithium-ion battery recycler.

## ❑ Charger

The charger supplied with the electric product should be regularly examined for damage to the cord, plug, enclosure and other parts, and in the event of such damage, the product must not be charged until it has been repaired or replaced.

Use **ONLY** with the recommended charger.

## ❑ Wheels

Wheels and drive system are subject to normal wear and tear. It is the responsibility of the user to periodically inspect wheels for excess wear and adjust or replace drive train components as required.

## ❑ Replacement Parts

The most frequently requested replacement parts are available for purchase at some Razor retail partners. For the complete selection of replacement parts visit [shop.razor.com](http://shop.razor.com).

## ❑ Repair Centers

For a list of authorized Razor repair centers:

- Check online at [www.razor.com](http://www.razor.com).
- Additional Customer Service contact information is listed on the back of this manual.

## Recycling Lithium-ion Batteries:

Lithium-ion batteries are recyclable. You can help preserve our environment by returning your used rechargeable batteries to the collection and recycling location nearest you.

For more information regarding recycling of rechargeable batteries, call toll free 1-800-822-8837, or visit <http://www.call2recycle.org>

**Caution:** Do not handle damaged lithium-ion batteries.

# TROUBLESHOOTING GUIDE

\*Unit(s) should be turned off and fully charged prior to doing any Troubleshooting  
**NOTE:** All troubleshooting steps should be performed by an adult only

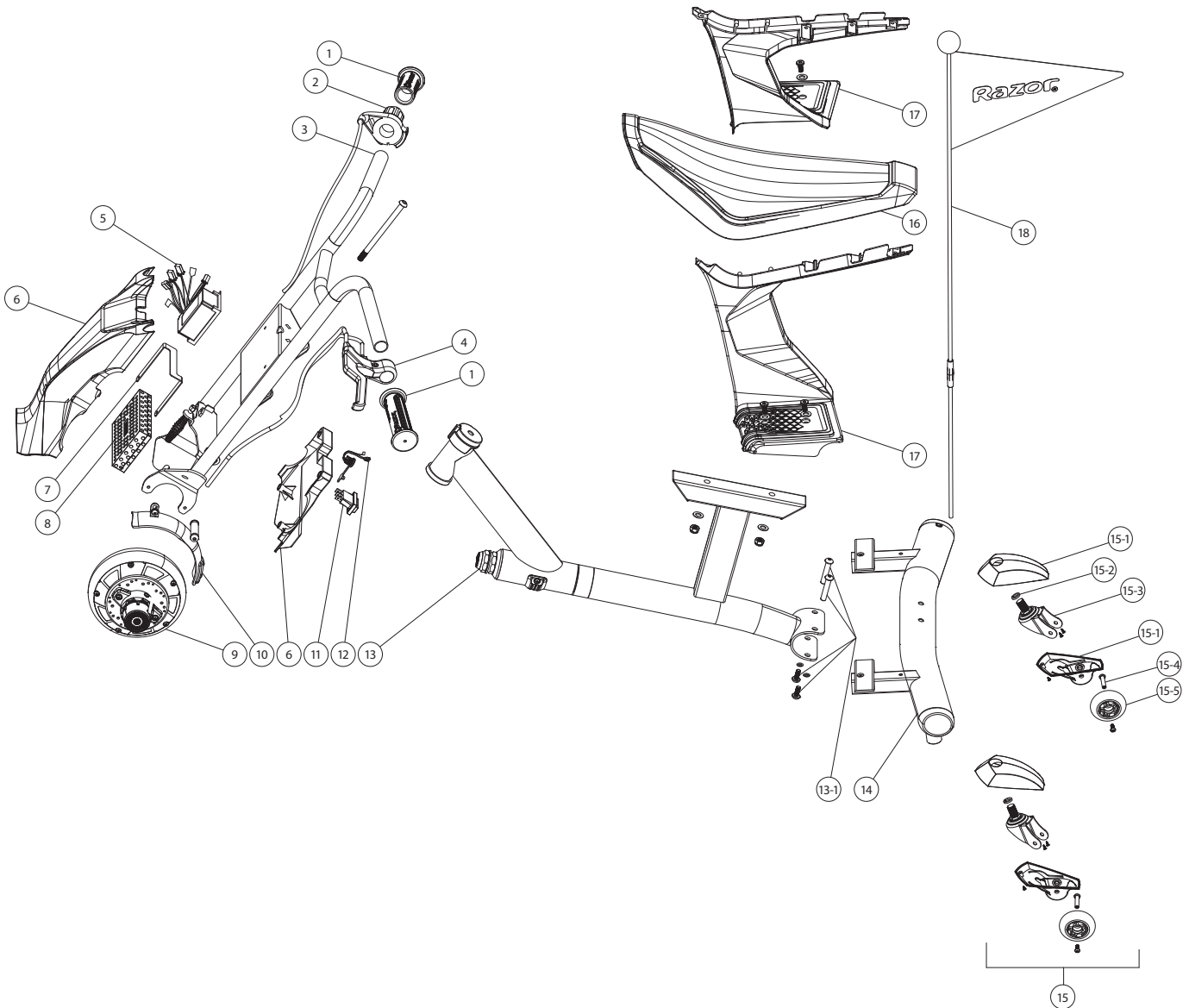
Problem	Possible Cause	Solution
Product does not run.	Undercharged battery.	Charge the battery. A new battery should have been charged for at least 5 hours before using the product for the first time and up to 5 hours after each subsequent use.  Check all connectors. Make sure the charger connector is tightly plugged into the charging port and that the charger is plugged into a functioning wall outlet.
	Charger is not working.	Contact Razor Customer Service to get replacement charger.
Product was running but suddenly stopped.	Loose wires or connectors.	Check all wires and connectors to make sure they are tight.
Short run time.	Undercharged battery.	Charge the battery. A new battery should have been charged for at least 5 hours before using the product for the first time and up to 5 hours after each subsequent use.
Product runs sluggishly.	Riding conditions are too stressful.	Use only on solid, flat, clean and dry surfaces, such as pavement or level ground.
	Product is overloaded.	Make sure you do not overload the product by allowing more than one rider at one time, exceeding the maximum weight limit, going up too steep a hill, or towing objects behind the product.
Sometimes the product doesn't run, but other times it does.	Loose wires or connectors.	Check all wires connectors to make sure they are tight.
	Motor or electrical switch damage.	Contact your local Razor authorized service center for diagnosis and repair. Contact Razor customer service or visit <a href="http://www.razor.com">www.razor.com</a> .

For more troubleshooting tips, a list of available replacement parts or to locate an authorized Service Center in your area, visit our website at [www.razor.com](http://www.razor.com) or call toll free 866-467-2967 to speak to a live Customer Service Representative

# DRIFT RIDER PARTS

Keep your Drift Rider running for years with genuine Razor parts. Visit our website or e-mail us for more information on spare part availability. (Specifications subject to change without notice.)

- |                                    |                             |                                |
|------------------------------------|-----------------------------|--------------------------------|
| 1. Handlebar Grip (Right and Left) | 8. Battery (21.9V)          | 15. Caster Wheel Assembly (x2) |
| 2. Throttle                        | 9. Hub Motor (21.9V / 100W) | 15-1 Rear Wheel Cover          |
| 3. Front Fork and Handlebar        | 10. Fender Brake            | 15-2 Spring Washer             |
| 4. Brake Lever                     | 11. On and Off Switch       | 15-3 Caster                    |
| 5. Control Module                  | 12. Port                    | 15-4 Axle Bolts                |
| 6. Battery Cover (Front and Rear)  | 13. Front Frame             | 15-5 Wheel                     |
| 7. Battery Bracket                 | 13-1 Frame Coupling Bolts   | 16. Seat                       |
|                                    | 14. Rear Frame              | 17. Foot Pad (Right and Left)  |
|                                    |                             | 18. Flag                       |



## FCC COMPLIANCE

This device complies with Part 15 of the FCC Rules. Operation is subject to the following two conditions: (1) This device may not cause harmful interference, and (2) this device must accept any interference received, including interference that may cause undesired operation.

Note: This equipment has been tested and found to comply with the limits for a Class B digital device, pursuant to part 15 of the FCC Rules. These limits are designed to provide reasonable protection against harmful interference in a residential installation. This equipment generates, uses and can radiate radio frequency energy and, if not installed and used in accordance with the instructions, may cause harmful interference to radio communications. However, there is no guarantee that interference will not occur in a particular installation. If this equipment does cause harmful interference to radio or television reception, which can be determined by turning the equipment off and on, the user is encouraged to try to correct the interference by one or more of the following measures:

- Reorient or relocate the receiving antenna.
- Increase the separation between the equipment and receiver.
- Connect the equipment into an outlet on a circuit different from that to which the receiver is connected.
- Consult the dealer or an experienced radio/TV technician for help.

**! WARNING:** Changes or modifications to this unit not expressly approved by Razor USA, could void the user's authority to operate the equipment.

## WARRANTY

### Razor Limited Warranty

The manufacturer warrants this product to be free of manufacturing defects for a period of 90 days from date of purchase. This Limited Warranty does not cover normal wear and tear, tires, tubes, cables, or any damage, failure or loss caused by improper assembly, maintenance, storage or use of the Razor Drift Rider.

This Limited Warranty will be void if the product is ever:

- used in a manner other than for recreation;
- modified in any way;
- rented.

The manufacturer is not liable for incidental or consequential loss or damage due directly or indirectly to the use of this product.

Razor does not offer an extended warranty. If you have purchased an extended warranty, it must be honored by the store at which it was purchased.

For your records, save your original sales receipt with this manual and write the serial number below. The serial number is located on the bottom of the frame directly under the motor.

---

**Need Help?** Visit our website for replacement parts, product support, a list of authorized service centers in the US and customer service contact information at [www.razor.com](http://www.razor.com). Please have the product I.D. code (located on the white label of your product) available for better assistance. Additional Customer Service contact information is listed at the back of this manual.

**NOTICE: INSURANCE  
YOUR INSURANCE POLICIES MAY NOT PROVIDE COVERAGE FOR  
ACCIDENTS INVOLVING THE USE OF THIS SCOOTER/ELECTRIC  
RIDE-ON PRODUCT. TO DETERMINE IF COVERAGE IS PROVIDED,  
YOU SHOULD CONTACT YOUR INSURANCE COMPANY OR AGENT.**

## CUSTOMER SERVICE CONTACT INFORMATION

**Need Help?** Visit our website for replacement parts, product support, a list of authorized service centers in the US and customer service contact information at [www.razor.com](http://www.razor.com). Please have the product I.D. code (located on the white label of your product) available for better assistance. Additional Customer Service contact information is listed below:

### AMERICAS

Razor USA LLC  
P.O. Box 3610  
Cerritos, CA 90703  
USA

+1 866 467 2967  
*Monday - Friday*  
*8:00 AM - 5:00 PM Pacific Time*  
[customersupport@razorusa.com](mailto:customersupport@razorusa.com)

### EUROPE, MIDDLE EAST, AFRICA

Razor USA LLC (Europe)  
Handelsweg 2  
2742 RD Waddinxveen  
Netherlands

+44 (0) 120 267 2702  
[info@razoreu.com](mailto:info@razoreu.com)

### ASIA

Razor USA LLC (Asia)  
P.O. Box 3610  
Cerritos, CA 90703  
USA

+81 50 7579 6622  
[info@razor-asia.com](mailto:info@razor-asia.com)

### DISTRIBUTED IN THE UK AND IRELAND BY:

Re:creation Limited  
2 Meadows Business Park  
Station Approach, Blackwater  
Camberley, Surrey GU17 9AB  
United Kingdom

+44 (0) 118 973 6222 *Tel*  
+44 (0) 118 973 6220 *Fax*  
[sales@recreationltd.co.uk](mailto:sales@recreationltd.co.uk)

### DISTRIBUTED IN AUSTRALIA BY:

Funtastic Limited  
Suite 2.01, Level 2  
315 Ferntree Gully Road  
Mount Waverley Vic 3149,  
Australia

+1 800 244 543  
[info@funtastic.com.au](mailto:info@funtastic.com.au)

### IMPORTED IN JAPAN BY B-PLUS ASIA CORP.

#### THE RIASTIK COMPANY

Razor USA LLC  
Kurokawa 3-1, Asaoku,  
Kawasaki, Kanagawa  
215-0035 JAPAN

+81 (0) 44 328 9067  
[info@razor-asia.comz](mailto:info@razor-asia.comz)

Printed in China for Razor USA LLC.

Copyright © 2003-2018 Razor USA, LLC. All rights reserved. Razor® and the Razor logo design are among the registered trademarks of Razor USA LLC in the United States and/or select foreign countries. Drift Rider™ is a trademark of Razor USA LLC.

US\_180807