



GROUND FORCE ELITE™

ELECTRIC-POWERED GO KART



OWNER'S MANUAL

Read and understand this entire manual before allowing child to use this product!

NOTE: Manual illustrations are for demonstration purposes only. Illustrations may not reflect exact appearance of actual product. Specifications subject to change without notice.

Please have your product along with the 19 character product I.D. code with you for replacement parts.

Product I.D. Code: _____ - _____ - _____

CONTENTS

Safety Warnings.....	1-2	Usage.....	8
Before You Begin.....	3	Repair and Maintenance.....	9-11
Assembly and Set-Up.....	4-5	Troubleshooting Guide.....	12
Charging the Battery.....	6	Ground Force Elite Parts.....	13
Pre-Ride Checklist.....	7		

SAFETY WARNINGS

! WARNING: Riding an electric product does present potential risks and caution is required. Certain conditions may cause the equipment to fail without fault of the manufacturer. Like any electric product, the Ground Force Elite has inherent hazards associated with its use (for example, falling off or riding it into a hazardous situation). Like any electric product, the Ground Force Elite can and is intended to move and it is therefore, of course, possible to lose control or otherwise get into dangerous situations. Both children and adults responsible for supervising them must recognize that if such things occur, a rider can be seriously injured or die, even when using safety equipment and other precautions. **RIDE AT YOUR OWN RISK AND USE COMMON SENSE.**

This manual contains important safety information. It is your responsibility to review this information and make sure that all riders understand all warnings, cautions, instructions and safety topics and assure that young riders are able to safely and responsibly use this product. Razor recommends that you periodically review and reinforce the information in this manual with younger riders, and that you inspect and maintain your child's product to ensure their safety.

This manual contains many warnings and cautions concerning the consequences of failing to maintain, inspect or properly use your electric product. Because any incident can result in serious injury or even death, we do not repeat the warning of possible serious injury or death each time such a possibility is mentioned.

! WARNING: PARENTAL AND ADULT RESPONSIBILITY AND SUPERVISION IS NECESSARY: Because products, like the Ground Force Elite, can and do present potential hazards plainly associated with their use, it is well recognized THE NEED FOR EXERCISE OF PARENTAL RESPONSIBILITY IN SELECTING ELECTRIC PRODUCTS APPROPRIATE TO THE AGE OF A CHILD, OR PARENTAL SUPERVISION IN SITUATIONS IN WHICH CHILDREN OF VARIOUS AGES MAY HAVE ACCESS TO THE SAME ELECTRIC PRODUCTS, IS IMPORTANT. Not every product is appropriate for every age or size of child, and different age recommendations are found within this category of product which are intended to reflect the nature of the hazards and the expected mental or physical ability, or both, of a child to cope with the hazards.

The recommended rider age of thirteen (13) years or older for the Ground Force Elite is only an estimate and can be affected by the rider's size, weight or skills. Any rider unable to fit comfortably on the product should not attempt to ride it. **A parent's decision to allow his or her child to ride this product should be based on the child's maturity, skill and ability to follow rules.** Razor emphasizes that adults are strongly advised not to disregard Razor's recommendations or permit younger children to ride the Ground Force Elite.

Keep this product away from small children and remember that it is intended for use only by persons who are, at a minimum, completely comfortable and competent while operating the product.

Persons with any mental or physical conditions that may make them susceptible to injury, impair their physical dexterity or mental capabilities to recognize, understand, and follow safety instructions and to be able

to understand the hazards inherent in product use, should not use or be permitted to use products inappropriate for their abilities. Persons with heart conditions, head, back or neck ailments (or prior surgeries to these areas of the body), or pregnant women, should be cautioned not to operate such products.

DO NOT EXCEED THE WEIGHT LIMIT OF 200 lb (91 kg). Rider weight does not necessarily mean a person's size is appropriate to fit or maintain control of the Ground Force Elite.

CHECK AND MAINTAIN PRODUCT CONDITIONS

Before use, check to confirm that any and all chain guards or other covers and guards are in place and in serviceable condition. Check that the brake is functioning properly, and that tires do not have excess wear. Always inspect product before riding and regularly maintain it. Replace worn or damaged parts immediately. Check brake for proper function. When you press on the foot brake pedal, the brake should provide positive braking action. The product should be maintained and repaired in accordance with the manufacturer's specifications, using only the manufacturer's authorized replacement parts, and should not be modified from the manufacturer's original design and configuration.

ACCEPTABLE RIDING PRACTICES AND CONDITIONS

Always check and obey any local laws or regulations which may affect the locations where the Ground Force Elite may be used. Keep safely away from cars and motor vehicle traffic at all times. Only use where allowed and with caution.

Ride defensively. Watch out for potential obstacles that could catch your wheel or force you to swerve suddenly or lose control. Be careful to avoid pedestrians, skaters, skateboards, scooters, bikes, children or animals who may enter your path, and respect the rights and property of others.

The Ground Force Elite is meant to be used on private property and on closed courses and not on public streets or sidewalks. Do not ride your electric product in any areas where pedestrian or vehicle traffic is present.

Do not activate the throttle unless you are on the product and in a safe, outdoor environment suitable for riding.

The normal powered top speed of this product will be approximately 14 mph (22.5 km/h), which can be affected by conditions, such as rider weight, inclines and battery charge level.

Do not attempt or do stunts or tricks on your electric Ground Force Elite. The Ground Force Elite is not made to withstand abuse from misuse, such as jumping, curb grinding or any other type of stunts. Racing, stunt riding, or other maneuvers also enhance risk of loss of control, or may cause uncontrolled rider actions or reactions.

This product was manufactured for performance and durability but is not impervious to damage. Jumping or other aggressive riding can overstress and damage any product, including the Ground Force Elite, and the rider assumes all risks associated with high-stress activity.

SAFETY WARNINGS

Be careful and know your limitations. Risk of injury increases as the degree of riding difficulty increases. The rider assumes all risk associated with aggressive riding activities.

Maintain a hold on the steering wheel at all times.

Never carry passengers or allow more than one person at a time to ride the electric product.

Never use near steps or swimming pools.

Do not allow hands, feet, hair, body parts, clothing, or similar articles to come in contact with moving parts of the product, wheels, drive train, or chain while the motor is running.

Do not touch the brake or electric motor on your electric product when in use as they can become very hot.

Never use headphones, a cell phone or text when riding.

Never hitch a ride with a vehicle.

Do not ride the Ground Force Elite in wet or icy weather and never immerse the electric product in water, as the electrical and drive components could get damaged by water or possibly create other unsafe conditions.

The electric Ground Force Elite is intended for use on flat, dry surfaces, such as pavement or level ground, without loose debris, such as sand, leaves, rocks or gravel. Wet, slick, bumpy, uneven or rough surfaces may impair traction, increase risks and contribute to possible accidents. Do not ride the electric product in mud, ice, puddles or water. Avoid sharp bumps, drainage grates, and sudden surface changes. Avoid excessive speeds that can be associated with downhill rides.

Never risk damaging surfaces such as carpet or flooring by use of an electric product indoors.

Do not ride at night or when visibility is limited.

PROPER RIDING ATTIRE

Always wear proper protective equipment such as an approved safety helmet (with chin strap securely buckled). A helmet may be legally required by local law or regulation in your area. Elbow pads and kneepads, a long-sleeved shirt, long pants and gloves are recommended. Always wear athletic shoes (lace-up shoes with rubber soles) and keep shoelaces tied and out of the way of the wheels, motor and drive system. Never ride barefooted or in sandals.

USING THE CHARGER

The charger supplied with the electric product should be regularly examined for damage to the cord, plug, enclosure and other parts. In the event of such damage, the product must not be charged until the charger has been repaired or replaced.

Use only with the recommended charger.

Use caution when charging.

The charger is not a toy. Charger should be operated by an adult.

Do not operate charger near flammable materials.

Unplug charger and disconnect from product when not in use.

Do not exceed charging time.

Always disconnect from the charger prior to wiping down and cleaning your product with damp cloth.

FAILURE TO USE COMMON SENSE AND HEED THE ABOVE WARNINGS INCREASES RISK OF SERIOUS INJURY. USE AT YOUR OWN RISK AND WITH APPROPRIATE AND SERIOUS ATTENTION TO SAFE OPERATION. USE CAUTION.

BEFORE YOU BEGIN

Remove contents from box. Remove the separators that protect the components from damage during shipping. Inspect the contents of the box for scratches in the paint, dents or kinked cables that may have occurred during shipping. Because the Ground Force Elite was 95 percent assembled and packed at the factory, there should not be any problems, even if the box has a few scars or dents.

MAKE SURE POWER SWITCH IS TURNED "OFF" BEFORE CONDUCTING ANY ASSEMBLY OR MAINTENANCE PROCEDURES.

Estimated Assembly and Set-Up Time

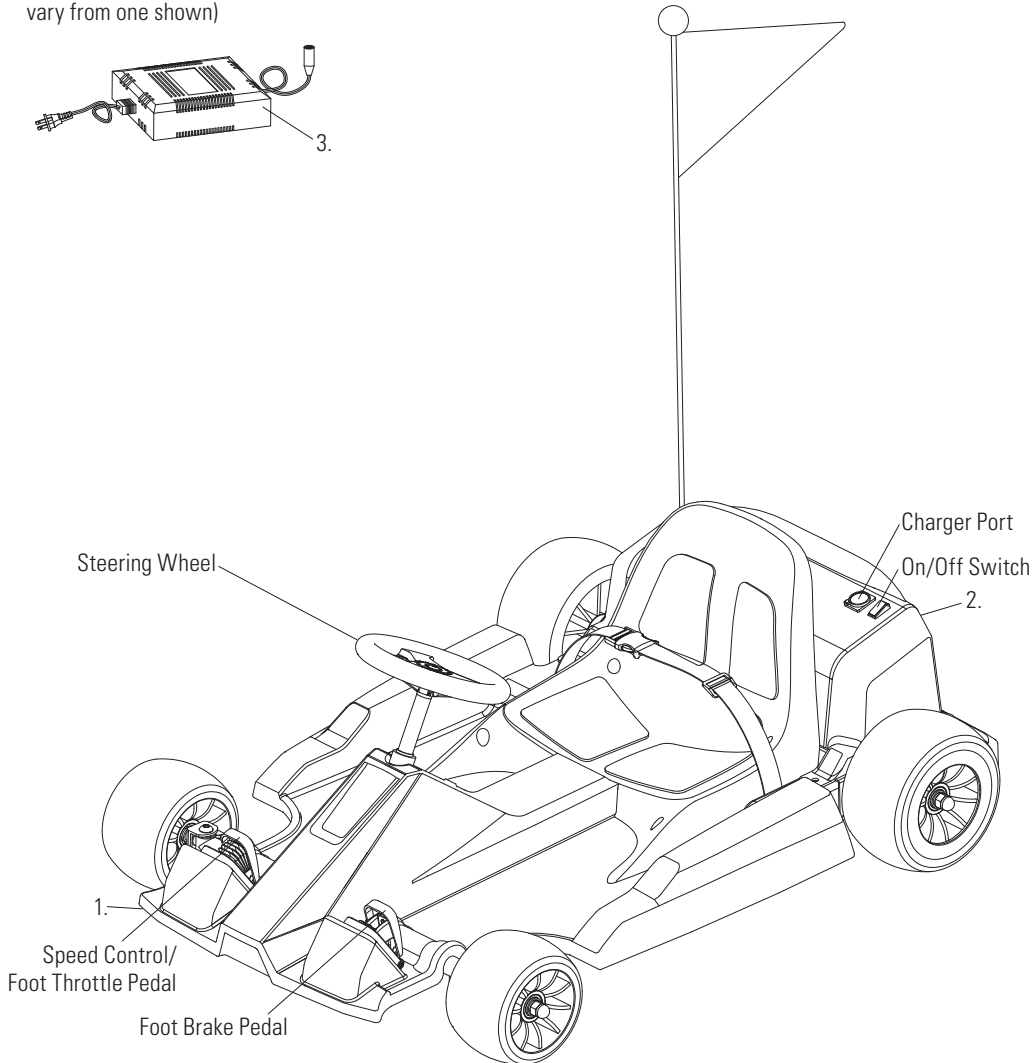
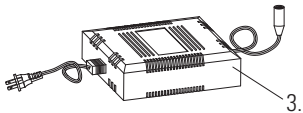
Razor recommends assembly by an adult.

Allow up to 20 minutes for assembly, not including initial charge time.

Allow up to 12 hours for initial charge (**see page 6 for charging information**).

Charger

(Note: Charger design may vary from one shown)



! WARNING: DO NOT USE NON-RAZOR PARTS WITH YOUR PRODUCT. The Ground Force Elite has been built to certain Razor design specifications. The original equipment supplied at the time of sale was selected on the basis of its compatibility with the frame and all other parts.

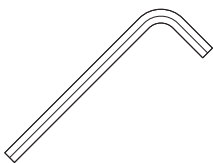
NOTE: The lap belt arrangement supplied is not intended for use in larger, faster vehicles and is for "play" use only. It is not an ASTM-approved safety belt system and is not intended to function as an approved lap/seat restraining device.

Product ID Locations:

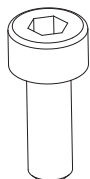
(See locations to the left)

1. Underneath Frame
2. Side of Battery Box
3. Charger
4. UPC Side of Box (Not Shown)

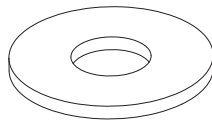
Required Tools, Hardware and Parts



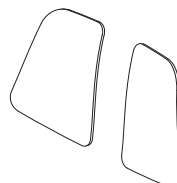
4 mm and 6 mm Allen Wrenches (included)



Allen Bolts (x4) (included)



Washers (x4) (included)



Seat Back Cushions (x2) (included)

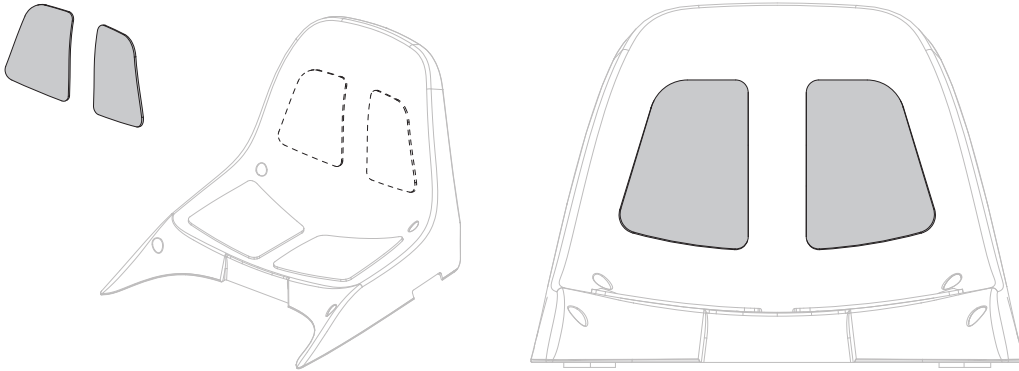
Plastic Bag Contents:

- Charger
- Allen Wrenches
- Bolts and Washers
- Seat Back Cushions
- Owner's Manual

ASSEMBLY AND SET-UP

Turn power switch off before conducting any assembly or maintenance procedures.

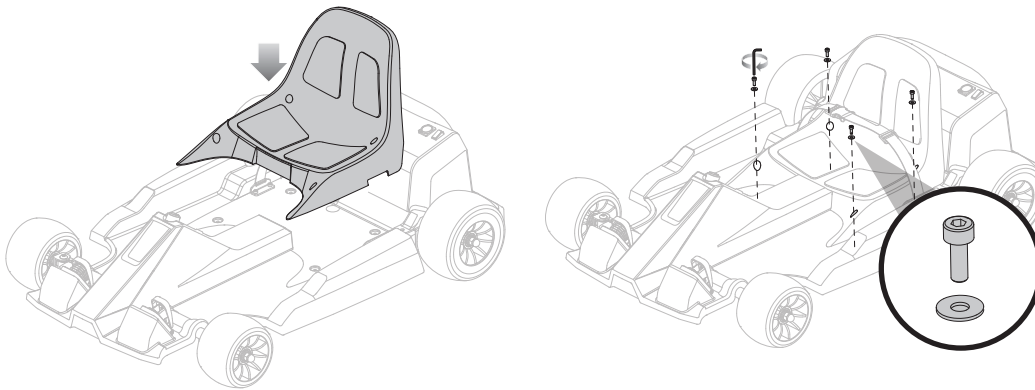
□ Attaching the Seat Back Cushions



Remove release paper from back of seat back cushions to expose the adhesive. Adhere seat back cushions to the seat back as shown in the image above.

□ Attaching the Seat

Required Tool: 4 mm Allen Wrench (included)



1 Position the seat over the frame and align it with the holes in the frame.

2 Insert the four (4) bolts and washers and tighten securely using a 4 mm Allen wrench.

Note: Lap belt does not require assembly.

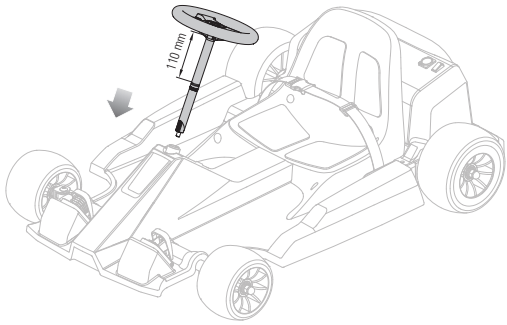
! WARNING: Failure to properly install and tighten the screws, nuts and bolts that affix the steering wheel and seat can cause you to lose control and crash.

NOTE: The lap belt arrangement supplied is not intended for use in larger, faster vehicles and is for "play" use only. It is not an ASTM-approved safety belt system and is not intended to function as an approved lap/seat restraining device.

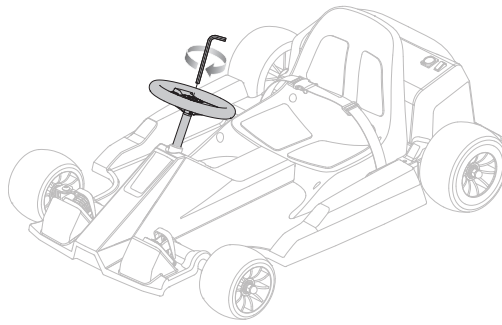
ASSEMBLY AND SET-UP

□ Attaching the Steering Wheel

Required Tool: 6 mm Allen Wrench (included)

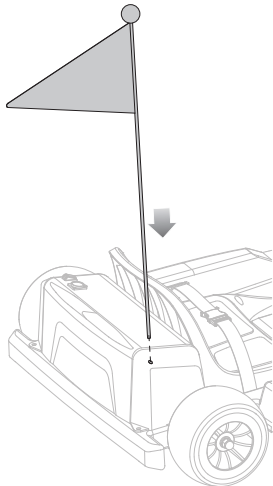


1 Slowly slide the steering wheel tube onto the frame in the direction of the arrow. Make certain that the tube is in the “SAFE ZONE” as marked by the line on the steering wheel tube. Failure to secure the steering wheel within the safe zone can cause the steering wheel to come out while riding.

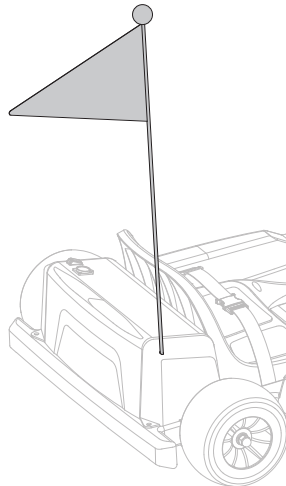


2 Using a 6 mm Allen wrench, tighten the steering bolt to secure the steering wheel in place.

□ Attaching the Flag



1 Align the flag with the hole in the battery case.

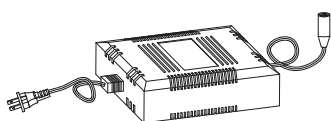


2 Insert the flag all the way to the bottom of the hole.

CHARGING THE BATTERY

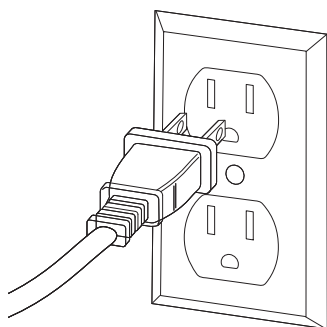
Your Ground Force Elite may not have a fully charged battery; therefore you must charge the battery prior to use.

- Initial charge time: 12 hours.
- Recharge time: up to 12 hours, even if the light turns green. Recommended maximum charging time is 24 hours.
- Always charge the battery immediately after riding.
- Fully charge battery before storing for extended periods of time.
- Unplug charger from the wall outlet when not in use.
- Failure to recharge battery periodically may result in a battery that will not accept a charge.
- Make sure the Ground Force Elite's power is turned **OFF** when product is not in use. If the power switch is left on for an extended period of time, the battery may reach a stage at which it will no longer hold a charge.
- To ensure long battery life, never store the product in freezing or below freezing temperatures! Freezing will permanently damage the battery.
- Run time: Up to 40 minutes of continuous ride time. Run time may vary depending on riding conditions, rider weight, climate, and/or proper maintenance.
- Constant starting and stopping may shorten ride time.



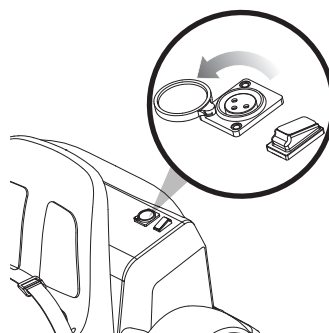
Charger

Note: Charger design may vary from one shown.

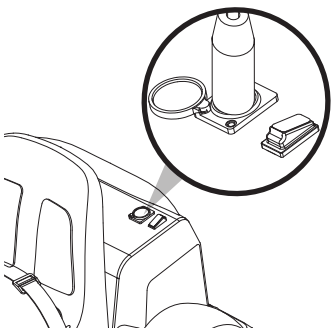


1 Plug the charger plug into wall outlet. The light on the charger should be green.

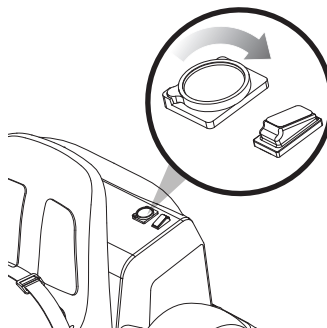
Note: If green light (LED) does not turn on, try a different outlet.



2 Rotate the charger cover open.



3 Make sure the power switch is in the **OFF** position. Plug the charger into the charger port on the Ground Force Elite. The light on the charger should turn red during charging. The light will turn green again when charging is complete.



4 Disconnect the charger from the Ground Force Elite. Rotate the charger cover closed.

! WARNING: Use **ONLY** with the recommended charger. Batteries are only to be charged under adult supervision. The charger is not a toy. Always disconnect the charger before wiping down and/or cleaning the Ground Force Elite with a damp cloth.

The charger supplied with the Ground Force Elite should be regularly examined for damage to the cord, plug, enclosure and other parts. In the event of such damage, the Ground Force Elite must not be charged until it has been repaired or replaced.

Chargers have built-in overcharge protection to prevent battery from being overcharged.

Note: If the charger gets warm during regular use, this is a normal response and is no cause for concern. If your charger does not get warm during use, it does not mean that it is not working properly.

Wall outlet - Green (stand by)
Wall outlet and unit - Red (charging)
Wall outlet and unit - Green (charged)

Note: Continue charging unit even if light turns green prior to 12 hours.

! WARNING: Battery charge can deplete over time. Periodically recharge battery when not in use.

Model	Voltage (Nominal) Vdc	Capacity (Nominal) Ah	Charge Temperature Range	Operating Temperature Range
Ground Force Elite	36	5	0° to 40°C 32° to 104°F	-20° to 40°C -4° to 122°F

PRE-RIDE CHECKLIST



Brake

Check the brake for proper function. When you press on the foot brake pedal, the brake should provide positive braking action. When you apply the brake with the foot throttle pedal on/engaged, the brake cut-off switch will stop the motor.



Wheels

Periodically inspect the wheels for excess wear. Practice riding only in wide open areas clear from curbs, parking blocks and other obstacles. Impacting the wheels against any hard surface can damage the wheels. Wheels are not covered under your limited warranty.



Frame, Fork and Steering Wheel

Check for cracks or broken connections. Although broken frames are rare, it is possible for an aggressive rider to run into a curb or object, and wreck and bend or break a frame. Get in the habit of inspecting your Ground Force Elite on a regular basis.



Hardware/Loose Parts

Before every ride, check all parts, such as nuts, bolts, cables, fasteners, etc., to ensure they are secure and assembled correctly. There should not be any unusual rattles or sounds from loose parts or broken components. If the product is damaged, do not ride. **Reference "Safety Warnings" on pages 1 and 2 of this manual.**



Safety Gear

Always wear proper protective equipment, such as an approved safety helmet (with chin strap securely buckled), elbow pads, and kneepads. A helmet may be legally required by local law or regulation in your area. A long-sleeved shirt and long pants are recommended. Always wear shoes and keep shoelaces tied and out of the way of the wheels and drive system. **NEVER RIDE BAREFOOTED OR IN SANDALS.**



Insurance

Do not assume that your existing insurance policies necessarily provide coverage for electric product use. Check with your insurance company for information regarding insurance.



Storage

Prolonged exposure to UV rays, rain and the elements may damage the enclosure materials, store indoors when not in use.



Laws and Regulations

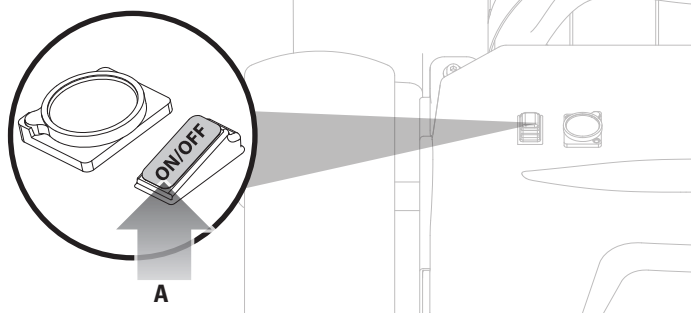
Always check and obey any local laws or regulations.

USAGE

How to Start

Do not activate (press on) the foot throttle pedal unless you are in the product and in a safe, outdoor environment suitable for riding.

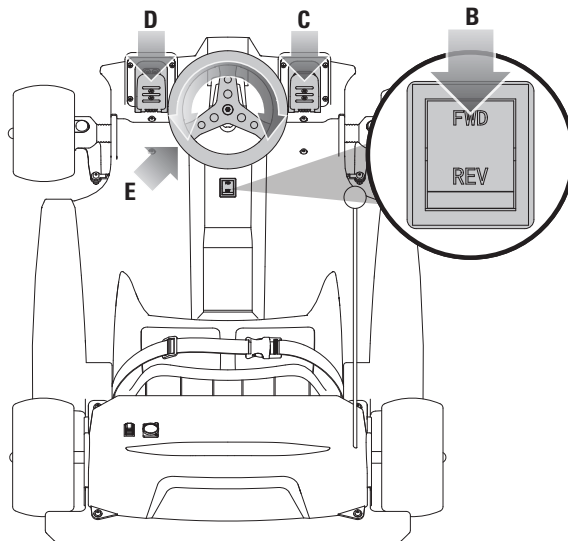
To start the product, position your body in the seat and place one foot on each side of the steering wheel. Turn power switch to the **ON** position (**A**).



How to Drive Forward

Press the direction switch to the **FWD** (forward) position (**B**). Accelerate with your right foot by pressing on the throttle pedal (**C**) to move forward. Brake with your left foot by pressing on the brake pedal (**D**). Hold the steering wheel (**E**) with both hands, at all times, to control direction and turning.

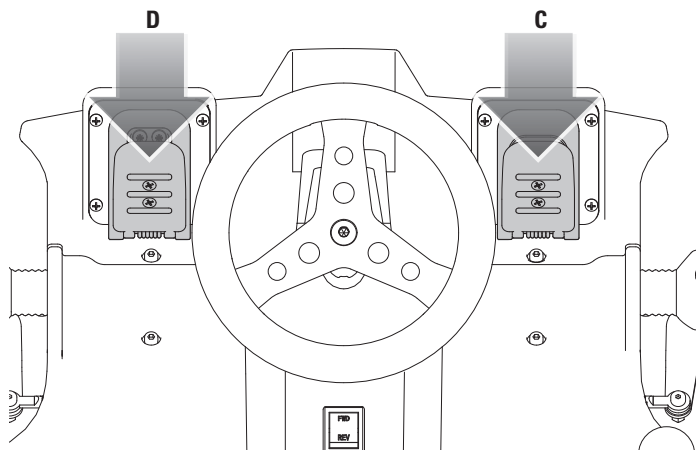
Note: Keep both hands on the steering wheel and both feet inside the product when product is in motion.



How to Stop

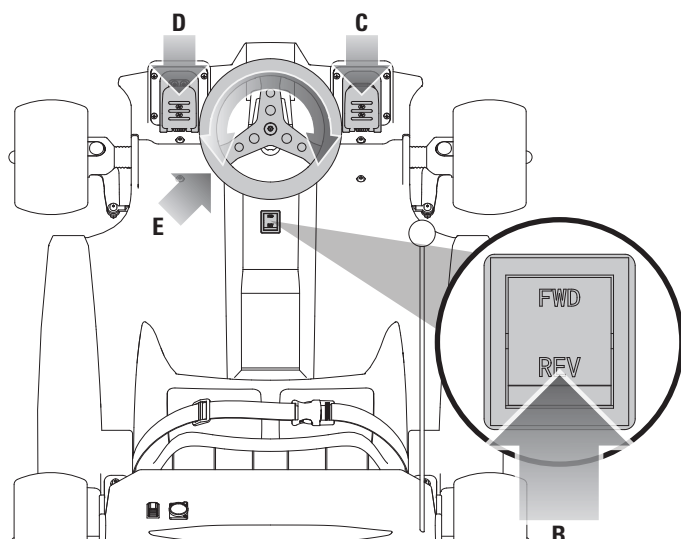
To stop the product, release the throttle, by lifting your right foot off the throttle pedal (**C**), and apply the brake, by pressing on the brake pedal (**D**), until the product comes to a complete stop. Razor recommends that you practice applying the brake at various speeds and in an open area free from obstructions before riding your product around others. Make sure to press the power switch to the **OFF** position after you complete your ride.

Note: The brake pedal contains a safety switch to cut off power to the motor when the brake is applied. In an emergency, applying the brake will always stop the product from moving.



How to Drive In Reverse

While fully stopped, press the direction switch to the **REV** (reverse) position (**B**). Accelerate with your right foot by pressing on the throttle pedal (**C**) to move in reverse. Brake with your left foot by pressing on the brake pedal (**D**). Hold the steering wheel (**E**) with both hands, at all times, to control direction and turning. Make sure you look behind you when riding in reverse. Razor recommends that you practice driving in reverse in an open area free from obstructions before riding your product around others.



REPAIR AND MAINTENANCE

Turn power switch "OFF" before conducting any maintenance procedures.

- Read the instructions.
- Remove charger plug.
- Turn the power switch **OFF**.
- Secure the product under repair.
- Exercise caution around exposed parts.
- Contact Razor customer service if unsure about any repair or maintenance.
- Repair and maintenance should be performed by an adult only.

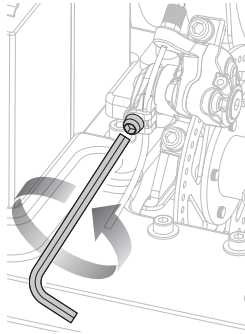
□ Adjusting the Brake

Required Tools: 4 mm Allen Wrench (included) and 5 mm Allen Wrench (not included)

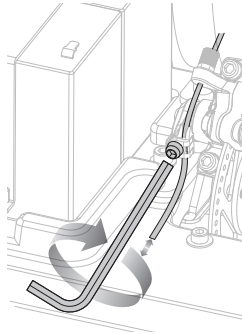
The brake pedal is fitted with a cable adjuster to compensate for cable stretch and/or to fine tune the lever movement to brake engagement.



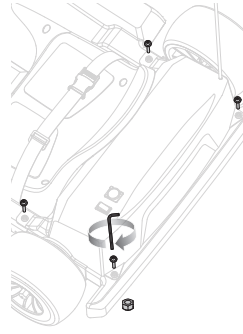
1 Using a 4 mm Allen wrench, remove the four (4) bolts from the battery cover. Note that the bolts have nuts under the frame. Set bolts, nuts and battery cover aside.



2 Using a 5 mm Allen wrench, loosen the bolt on the brake caliper.



3 Pull or loosen the brake cable to adjust the tension of the brake. Using a 5 mm Allen wrench, tighten the bolt on the brake caliper.

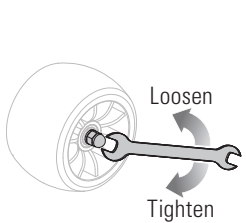


4 Replace the battery cover and reinstall the four (4) bolts and nuts that were removed in step 1.

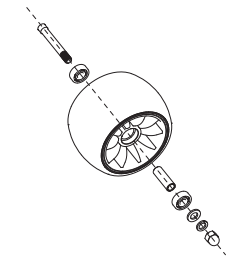
□ Replacing the Wheels

Required Tool: 19 mm Wrench (not included)

Front and rear wheel installation and removal are the same.



1 To remove a wheel, remove the self-locking nut with a 19 mm wrench. Tap the wheel to remove.



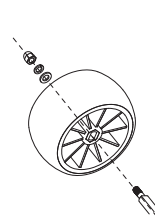
2 Front Wheel Installation: To replace a front wheel, make sure the bearings are seated and the center spacer is installed. Position the wheel with the **Razor logo facing outward**.

Install the washer and tighten the self-locking nut securely.



3 Rear Left Wheel Installation: To replace the left rear wheel, make sure the bearings are seated and the center spacer is installed. Position the wheel with the **Razor logo facing outward**.

Install the washer and tighten the self-locking nut securely.



4 Driving Wheel Installation (Rear Right Wheel): To replace the driving wheel, make sure the shaft and hub insert are seated and the spacer is installed. Position the wheel with the **Razor logo facing outward**.

Install the washer and tighten the self-locking nut securely.

! WARNING: Practice in an open area free from obstacles until you are familiar with the brake function. **DO NOT RUN OVER ANY OBJECT AS IT COULD DAMAGE THE BRAKE OR DRIVETRAIN.**

Note: The brake pedal contains a safety switch to cut off power to the motor when the brake is applied. In an emergency, applying the brake will always stop the product from moving. Do not disable or replace this pedal with anything other than a genuine Razor replacement part.

! WARNING: Failure to properly adjust and tighten the screws, nuts and bolts that affix the wheels can cause you to lose control and crash.

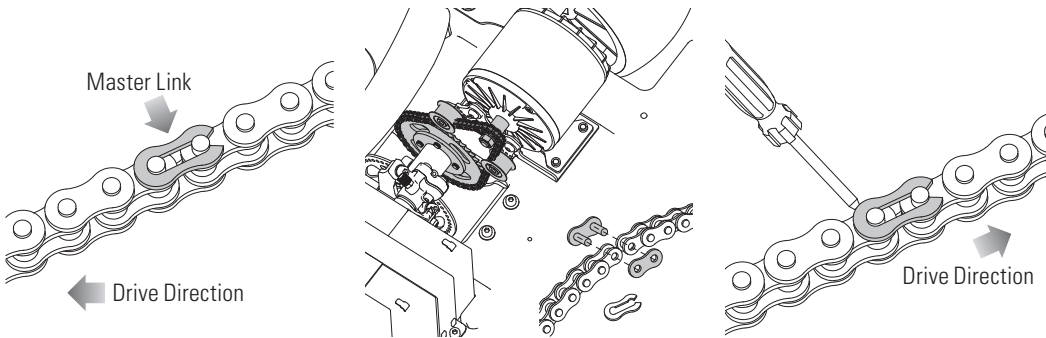
Note: Practice riding only in wide open areas clear from curbs, parking blocks and other obstacles. Impacting the wheels against any hard surface can damage the wheels.

REPAIR AND MAINTENANCE

Before you begin, carefully turn product upside down for easier access.

❑ Replacing the Chain

Required Tool: Flat Head Screwdriver (not included)

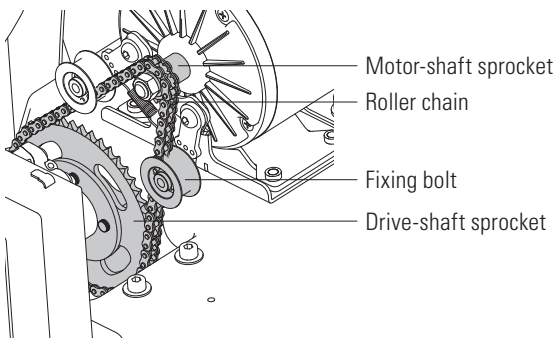


1 Locate the master link on the replacement chain and with a flat head screwdriver carefully disengage the clip from the chain to remove the link plate and connector link.

2 Wrap the chain around both sprockets and tension idler. Insert the connector link all the way through the chain and fit the link plate over the connector link.

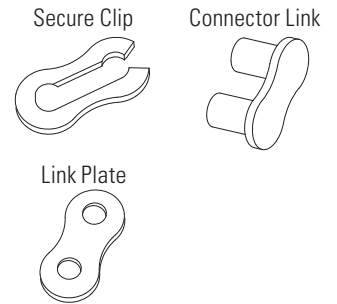
3 Using a flat head screwdriver, carefully re-attach the secure clip on to the link plate. The secure clip must point in the drive direction of chain rotation.

❑ Self-Adjusting Chain Tensioner



Note: Chain should be periodically checked for grime build-up. If necessary remove any dirt and/or debris in and around the chain and re-lubricate with a bicycle chain lubricant.

Master Link:



Note: Proper alignment of the chain must be maintained. If the chain is adjusted properly, but is noisy or rough running, check alignment of the sprockets. The drive-shaft sprocket can be adjusted slightly from side-to-side by loosening the set screw. Note that a key way maintains the drive position to the shaft.

REPAIR AND MAINTENANCE

Cleaning Your Ground Force Elite

Wipe with a damp cloth to remove dirt and dust. Do not use industrial cleaners or solvents as they may damage the surfaces. Do not use alcohol, alcohol-based or ammonia-based cleaners as they may damage or dissolve the plastic components or soften the decals or decal adhesive.

Battery Care and Disposal

Do not store in freezing or below freezing temperatures. To properly maintain your battery and ensure maximum battery life, carefully read the "Charging the Battery" section on page 6 of this owner's manual.



CONTAINS SEALED LEAD-ACID BATTERIES. BATTERIES MUST BE RECYCLED.

Disposal: Your Razor product uses sealed lead-acid batteries which must be recycled or disposed of in an environmentally safe manner. Do not dispose of a lead-acid battery in a fire. The battery may explode or leak. Do not dispose of a lead-acid battery in your regular household trash. The incineration, land filling or mixing of sealed lead-acid batteries with household trash is prohibited by law in most areas. Return exhausted batteries to a federal or state approved lead-acid battery recycler or a local seller of automotive batteries. If you live in Florida or Minnesota, it is prohibited by law to throw away lead-acid batteries in the municipal waste stream.

Charger

The charger supplied with the Ground Force Elite should be regularly examined for damage to the cord, plug, enclosure and other parts, and in the event of such damage, the product must not be charged until it has been repaired or replaced.

Use **ONLY** with the recommended charger.

Wheels

Wheels and drive system are subject to normal wear and tear. It is the responsibility of the user to periodically inspect wheels for excess wear and adjust and replace drive train components as required.

! WARNING: If a battery leak develops, avoid contact with leaking acid and place the damaged battery in a plastic bag. Refer to the disposal instructions at left. If acid comes into contact with skin or eyes, flush with cool water for at least 15 minutes and contact a physician.

! WARNING: Battery posts, terminals and related accessories contain lead and lead compounds. **Wash your hands after handling.**

TROUBLESHOOTING GUIDE

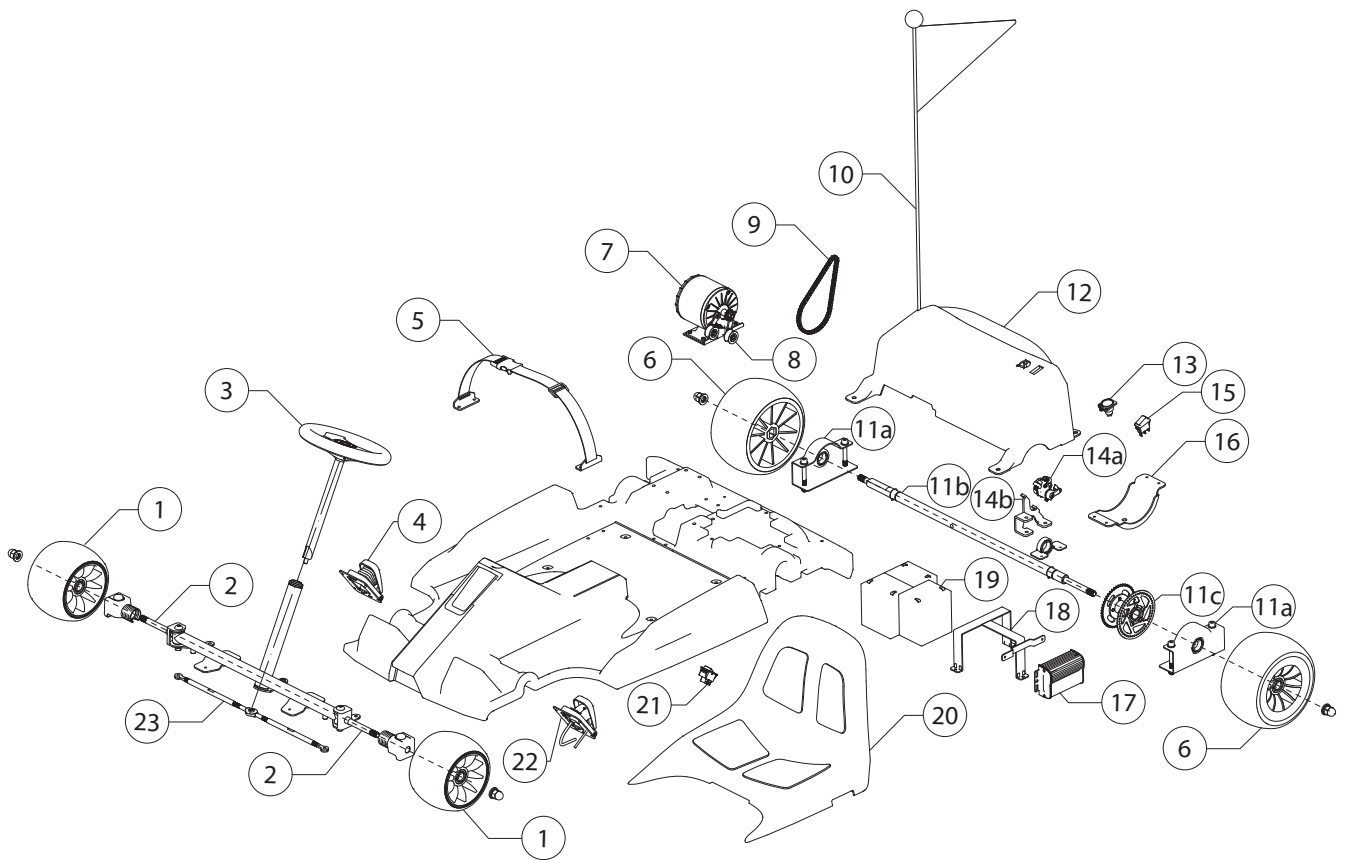
*Unit(s) should be turned **OFF** and fully charged prior to doing any Troubleshooting
NOTE: All troubleshooting steps should be performed by an adult only.

Problem	Possible Cause	Solution
Product does not run.	Product is rolling backwards.	Throttle will not engage if the product is rolling backwards. Come to a complete stop, check to ensure that your direction switch is in the FWD position, and then activate the throttle.
	Undercharged battery.	Charge the battery. A new battery should have been charged for at least 12 hours before using the product for the first time and up to 12 hours after each subsequent use. Check all connectors. Make sure the charger connector is tightly plugged into the charging port and that the charger is plugged into a functioning wall outlet.
	Charger is not working.	Contact Razor Customer Service to get replacement charger.
	Prolonged riding under overloaded conditions or in high temperature weather/ environmental conditions.	Motor may activate high temperature protection; motor must cool down before riding or charging can resume.
Product was running but suddenly stopped.	Loose wires or connectors.	Check all wires and connectors to make sure they are tight.
Short run time.	Undercharged battery.	Charge the battery. A new battery should have been charged for at least 12 hours before using the product for the first time and up to 12 hours after each subsequent use.
	Battery is old and will not accept full charge.	Even with proper care, a rechargeable battery does not last forever. Average battery life is 1 to 2 years depending on product use and conditions. Replace only with a Razor replacement battery.
Product runs sluggishly.	Riding conditions are too stressful.	Use only on solid, flat, clean and dry surfaces such as pavement or level ground.
	Product is overloaded.	Make sure you do not overload the product by allowing more than one rider at one time, exceeding the maximum weight limit, going up too steep a hill or towing objects behind the product.
Sometimes the product doesn't run, but other times it does.	Loose wires or connectors.	Check all wires and connectors to make sure they are tight.
	Motor or electrical switch damage.	Contact your local Razor authorized service center for diagnosis and repair. Contact Razor customer service or visit www.razor.com .
Charger gets warm during use.	Normal response to charger use.	No action required. This is normal for some chargers and is no cause for concern. If your charger does not get warm during use, it does not mean that it is not working properly.
Product makes loud noises or grinding sounds.	Chain is too dry.	Apply a bicycle chain lubricant to the chain.

GROUND FORCE ELITE PARTS

Keep your Ground Force Elite running for years with genuine Razor parts. . (Specifications subject to change without notice.)

- | | | | |
|------------------------------|------------------------|----------------------------|--------------------------------|
| 1. Front Wheel (x2) | 8. Chain Tensioner | 13. Charger Port | 18. Battery Bracket |
| 2. Spindle Arms (Right/Left) | 9. Chain | 14. Brake Caliper Assembly | 19. Battery (3 x 12V/5Ah) |
| 3. Steering Wheel | 10. Flag | 14a. Brake Caliper | 20. Seat |
| 4. Foot Pedal Throttle | 11. Rear Axle Assembly | 14b. Brake Caliper Holder | 21. Direction Switch (FWD/REV) |
| 5. Lap Belt | 11a. Bearings Bracket | 15. ON/OFF Switch | 22. Brake Pedal |
| 6. Rear Wheels (x2) | 11b. Chain Plate | 16. Chain Guard | 23. Adjustable Tie Rod |
| 7. Motor (36V/350W) | 11c. Disc Brake | 17. Control Module | |
| | 12. Battery Cover | | |



NOTICE: INSURANCE
YOUR INSURANCE POLICIES MAY NOT PROVIDE COVERAGE FOR
ACCIDENTS INVOLVING THE USE OF THIS SCOOTER/ELECTRIC
RIDE-ON PRODUCT. TO DETERMINE IF COVERAGE IS PROVIDED,
YOU SHOULD CONTACT YOUR INSURANCE COMPANY OR AGENT.

FCC COMPLIANCE

This device complies with Part 15 of the FCC Rules. Operation is subject to the following two conditions: (1) This device may not cause harmful interference, and (2) this device must accept any interference received, including interference that may cause undesired operation.

Note: This equipment has been tested and found to comply with the limits for a Class B digital device, pursuant to part 15 of the FCC Rules. These limits are designed to provide reasonable protection against harmful interference in a residential installation. This equipment generates, uses and can radiate radio frequency energy and, if not installed and used in accordance with the instructions, may cause harmful interference to radio communications. However, there is no guarantee that interference will not occur in a particular installation. If this equipment does cause harmful interference to radio or television reception, which can be determined by turning the equipment off and on, the user is encouraged to try to correct the interference by one or more of the following measures:

- Reorient or relocate the receiving antenna.
- Increase the separation between the equipment and receiver.
- Connect the equipment into an outlet on a circuit different from that to which the receiver is connected.
- Consult the dealer or an experienced radio/TV technician for help.

⚠ WARNING: Changes or modifications to this product not expressly approved by Razor USA LLC, could void the user's authority to operate the equipment.

www.razor.com/lat