



RIPSTIK[®]
C A S T E R B O A R D

Ripster[®]

LIGHTED DECK



OWNER'S MANUAL

**Read and understand this entire manual before
allowing child to use this product!**

**NOTE: Manual illustrations are for demonstration purposes only.
Illustrations may not reflect exact appearance of actual product.
Specifications subject to change without notice.**

www.razor.com/lat
Hecho en China

AN IMPORTANT MESSAGE TO PARENTS

This manual contains important safety information. For your child's safety, it is your responsibility to review this information with your child and make sure that your child understands all warnings, cautions, instructions and safety topics. We recommend that you periodically review and reinforce the information in this manual with younger riders and that you are required to inspect and maintain your child's caster board to insure their safety.

GENERAL WARNING

Caster board riding can be a hazardous activity. Caster boards can, and are intended to move and it is therefore possible to get into dangerous situations and/or lose control and/or fall off. If such things occur you can be seriously injured or die.

LIKE ANY OTHER MOVING PRODUCT, USING A CASTER BOARD CAN BE A DANGEROUS ACTIVITY AND MAY RESULT IN INJURY OR DEATH EVEN WHEN USED WITH PROPER SAFETY PRECAUTIONS. USE AT YOUR OWN RISK AND USE COMMON SENSE.

- Always wear proper protective equipment. Elbow and kneepads, long sleeve shirt, gloves, long pants, shoes, and elbow and kneepads are recommended. Wear athletic shoes (lace-up shoes with rubber soles). Don't ride barefoot or in sandals. Keep shoelaces out of the way of casters and wheels.
- Use the caster board only on smooth, dry, level ground without loose debris, such as rocks or gravel.
- Never use the caster board at dusk or night or in wet or icy conditions.
- Avoid water, speed bumps, sand, gravel and anything else that could cause your wheels to stop. When in doubt, avoid the bumps.
- Do not exceed 175 lb (79 kg) total weight on the RipStik Ripster caster board.
- Do not allow children under age eight (8) to use the caster board. Children under age ten (10) should ride with adult supervision at all times.
- Never ride in traffic and watch your surroundings for pedestrians, bikes, skateboard and scooter riders. Use the caster board in areas free from fixed or moving hazards, such as poles, hydrants, parked automobiles and traffic.
- Risk of injury increases as degree of trick difficulty increases. Rider assumes all risk associated with trick riding activities. Be careful and know your limitations.
- This product was manufactured for performance and durability but it is not impervious to damage. Trick riding can over time stress or damage any product, including the RipStik Ripster, and the rider assumes all risks associated with high-stress activity.

FAILURE TO USE COMMON SENSE AND HEED THESE WARNINGS FURTHER INCREASES RISK OF SERIOUS INJURY. USE AT YOUR OWN RISK AND WITH APPROPRIATE AND SERIOUS ATTENTION TO SAFE OPERATION. USE CAUTION.

⚠ WARNING: ALWAYS INSPECT THE RIPSTIK RIPSTER PRIOR TO RIDING. Properly inspecting and maintaining your caster board can reduce the risk of injury. Always inspect your caster board before riding and regularly maintain it.

⚠ WARNING: REGARDING USE OF NON-RAZOR PRODUCTS WITH YOUR RIPSTIK RIPSTER CASTER BOARD. Your caster board has been built to our design specifications. All the original equipment supplied at the time of sale were selected on the basis of their compatibility with the frame, casters and all other parts. Certain after-market products may or may not be compatible with your RipStik Ripster caster board. Consult your retailer or contact us prior to modifying or replacing any component with a non-factory specified product.

⚠ WARNING: CHECK LOCAL LAWS REGARDING CASTER BOARD USE. Check local laws and regulations to see where and how you may use your RipStik Ripster caster board legally. In many states and local areas caster board riders may be required BY LAW to wear a helmet. Check local laws and regulations regarding laws governing helmet use and caster board operation in your area.

⚠ WARNING: AA BATTERIES

This product contains AA batteries. A swallowed AA battery can cause internal chemical burns. Dispose of used batteries immediately. Keep new and used batteries away from children. If you think batteries might have been swallowed or placed inside any part of the body, seek immediate medical attention.

Batteries included for lights - adult attention for changing and disposal.

Batteries should only be replaced by an adult.

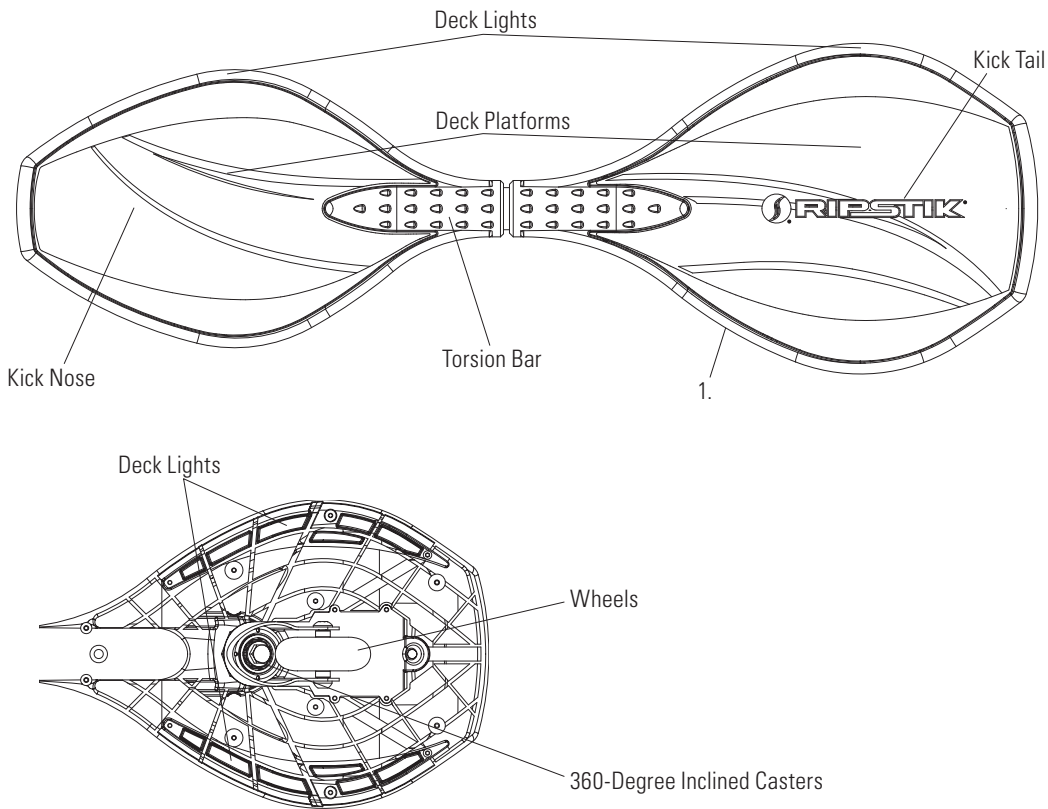
Loose batteries could present a choking hazard and should be kept away from small children.

Dispose of batteries properly.

⚠ WARNING: Aggressive and other stunt-type riding reduce your ability to maneuver and control your caster board. Take the necessary precautions, such as wearing appropriate protective gear and practice in a safe area for stunt riding and free from obstructions.

⚠ WARNING: You will see people on TV and videos or maybe even people you know doing tricks or stunts on a caster board. These are people who have been practicing a long time and who accept the risks of trick riding activity. Do not assume that you can attempt to do the same tricks without great risk.

CASTER BOARD PARTS AND COMPONENTS



Product ID Locations: (See locations to the left)

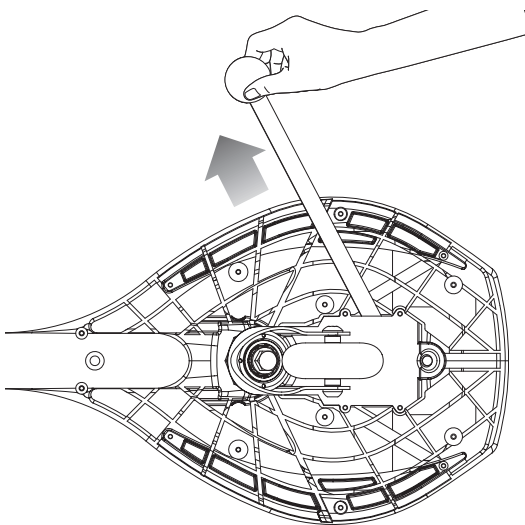
1. Underneath platform
2. Box - side of UPC (not shown)

NOTE: Your model may differ in appearance from the one depicted above.

HOW TO ACTIVATE THE BATTERIES

To activate the batteries, locate the battery compartment on the bottom of the rear deck platform and remove the plastic tab from under the battery cover. Discard plastic tab. Please note that the battery tab may have been previously removed. If the battery tab is missing there is no cause for concern, as this will not affect the functionality of your caster board.

The lights on the caster board are activated when the product is in motion. The lights will automatically turn off after 20 seconds of inactivity.



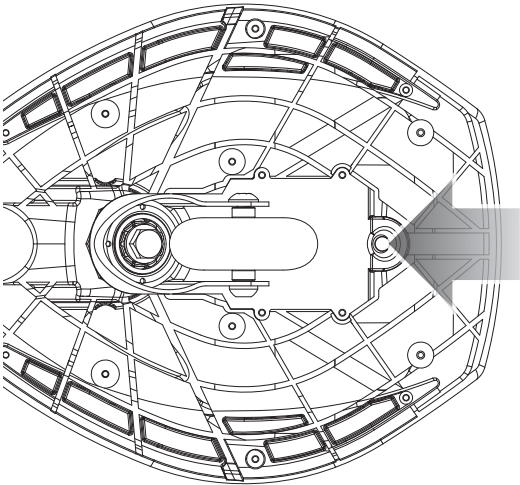
HOW TO OPERATE LIGHTS

□ Activating Lights

- There is no power switch to activate the lights on the deck.
- The lights are activated by a vibration sensor.
- Lights are activated when product is in motion.
- Lights will remain on for approximately 20 seconds after product has stopped moving. Lights are re-activated when product resumes motion. There are total of 5 modes that can be selected.

□ Switching Light Modes

- Press the button at bottom of the rear deck platform to switch lights to the next mode. There are total of five (5) light modes than can be activated.



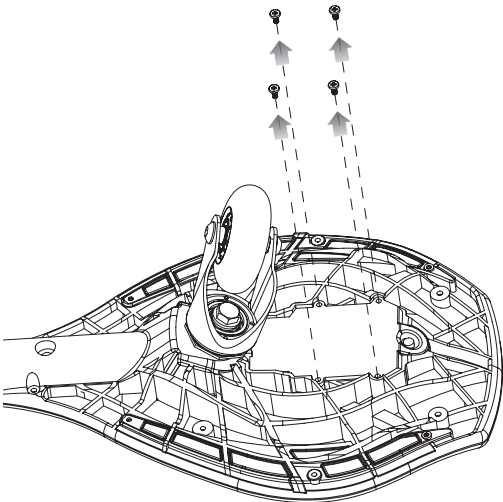
CHECK BEFORE RIDING

Always inspect your caster board's wheel bearings and other hardware to make sure they are tight before each use.

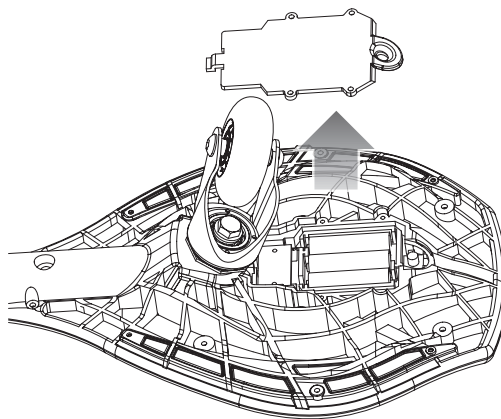
REPAIR AND MAINTENANCE

□ Replacing the Batteries

Required Tool: Phillips screwdriver (not included)



1 Using a Phillips screwdriver, remove the four (4) screws from the battery cover.

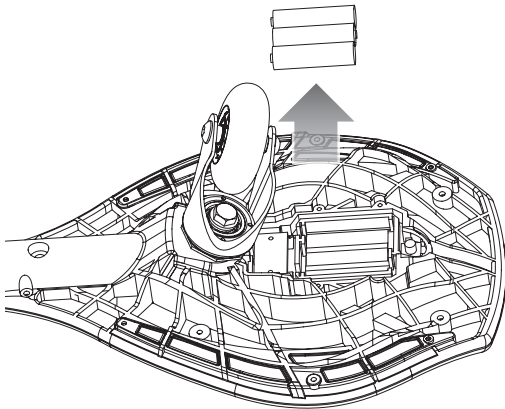


2 Remove the battery cover and set aside.

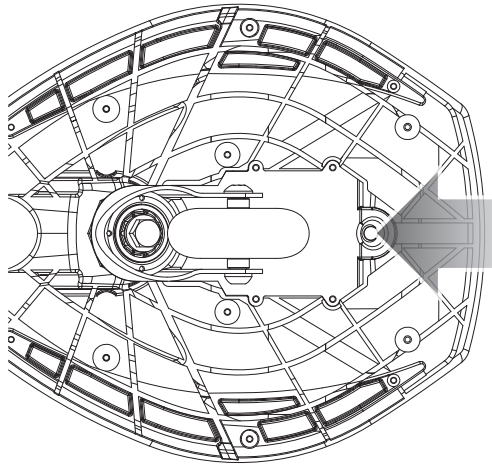
REPAIR AND MAINTENANCE

□ Replacing the Batteries (continued)

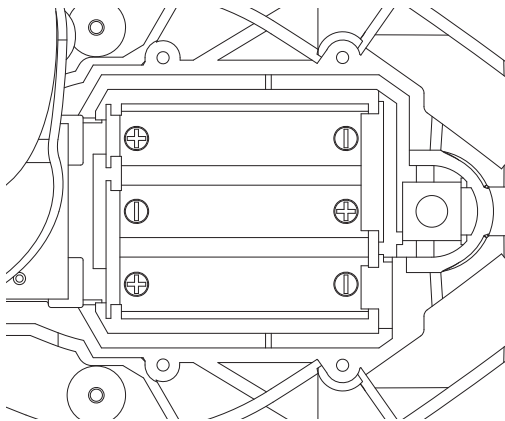
Required Tool: Phillips screwdriver (not included)



3 Discard the old batteries.



4 Insert the new AA batteries and replace the cover and four (4) screws using a Phillips screwdriver.



Note: When installing the batteries, please pay attention to the batteries' positive and negative side which must align with the positive and negative markings in the battery housing.

⚠ WARNING:

- AA batteries included for lights - adult attention for changing and disposal.
- Batteries should only be replaced by an adult.
- Loose batteries could present a choking hazard and should be kept away from small children.
- Do not mix old and new batteries.
- Do not mix alkaline, standard (carbon-zinc) or rechargeable (ni-cad, ni-mh, etc.) batteries.
- Dispose of batteries properly.

WHEELS AND BEARINGS

Under normal circumstances and conditions, RipStik Ripster wheels and wheel bearings are maintenance free. Nonetheless, it is the responsibility of the owner or guardian to periodically inspect the wheels for wear and tear, the axle for proper tightness, and the bearings for side-to-side play and loose parts.

When a wheel or wheel bearing develops play, this is an indication of excess wear and replacement is necessary. Replace immediately with only genuine RipStik Ripster wheels. Worn wheels/bearings are considered normal wear-and-tear and are not covered by the RipStik Ripster Limited Warranty. Wheels other than genuine RipStik Ripster wheels may not be compatible with your RipStik Ripster caster board. The use of anything other than genuine Razor replacement parts will void your warranty.

CLEANING YOUR RIPSTIK

Wipe with a damp cloth to remove dirt and dust.

Do not use industrial cleaners or solvents as they may damage the surfaces. Do not use alcohol, alcohol-based or ammonia-based cleaners as they may damage or dissolve the plastic components.

www.razor.com/lat