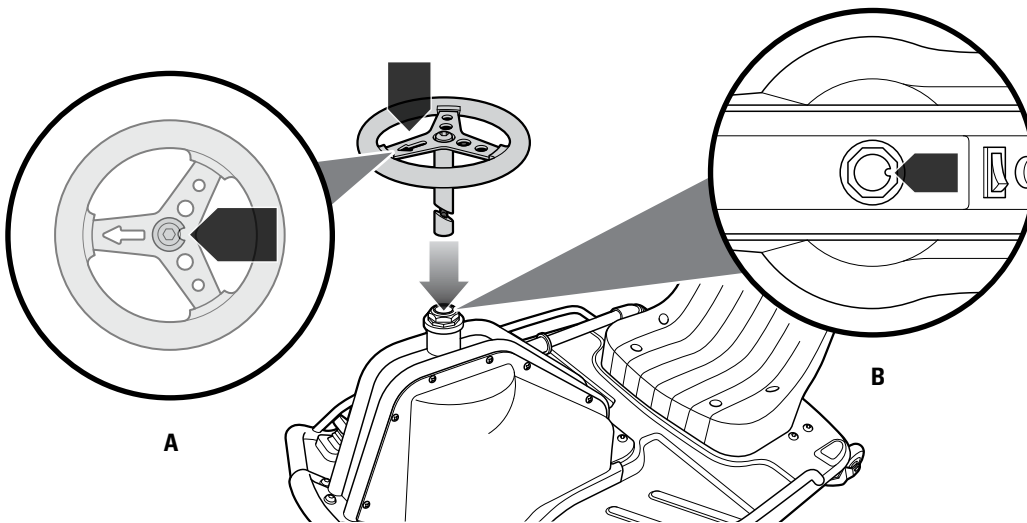


SERVICE BULLETIN CRAZY CART

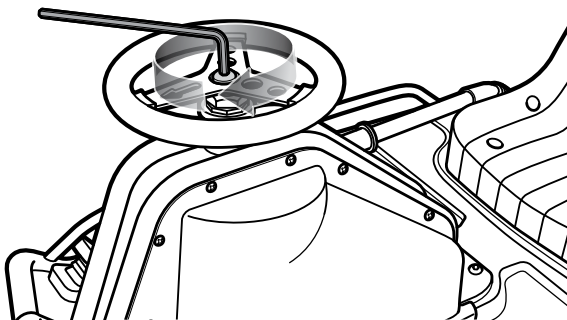
ATTACHING THE STEERING WHEEL

□ Attaching the Steering Wheel

Tools required: 6 mm Allen wrench (included)



1 Remove the cardboard protector from the steering fork. Insert the steering wheel into the steering fork making sure to align the groove on the steering wheel (A) with the groove on the steering fork (B). Push all the way down.



2 Using a 6 mm Allen wrench, tighten the steering bolt to secure the steering wheel in place.