



Ground Force® Drifter Fury



OWNER'S MANUAL

**Read and understand this entire manual before allowing child to use this product! For assistance contact Razor.
DO NOT RETURN TO STORE.**

NOTE: Manual illustrations are for demonstration purposes only. Illustrations may not reflect exact appearance of actual product. Specifications subject to change without notice.

Please have your unit and 19 character product I.D. code with you before contacting Razor for warranty assistance and/or replacement parts.

Product I.D. Code: _____ - _____ - _____

CONTENTS

Safety Warnings	1-2	Repair and Maintenance.....	7-10
Before You Begin.....	3	Troubleshooting Guide	11
Assembly and Set-Up.....	4-5	Ground Force Drifter Fury Parts.....	12
Charging the Battery	5	Warranty	14
Pre-Ride Checklist/Usage	6		

SAFETY WARNINGS


WARNING: SPARKS CAN INDUCE FIRE


To reduce the risk of **SERIOUS INJURY** or **FIRE**:

PARENTS and RIDERS: Make sure riders understand that sparks can start a fire. Keep sparks away from flammable or combustible substances. Use only under close adult supervision.

BE RESPONSIBLE: Safety is important. Parents must review the following warnings and instructions with each rider:

- For outdoor use only on solid, clean, dry, hardened surfaces. Keep sparks away from substances that can catch fire, such as dry vegetation, paper, chemicals or gasoline. Sparks can induce fire.
- Do not use in any area prone to wildfires or posted by fire authorities as a Fire Hazard Zone.
- Never use your product to try to start a fire. Your Ground Force® Drifter Fury™ emits localized sparks when the Spark Bar handle is pulled up. Be responsible.
- Do not ride at night.
- Keep sparks away from eyes, hair, exposed skin and clothing. Sparks can burn.
- Spark Bar and cartridge get hot during use. Do not touch after use.
- Do not pull up on the Spark Bar handle continuously - no more than 5 seconds at a time - while the Ground Force Drifter Fury is moving under power. Allow 20 seconds between spark events to prevent overheating spark components. Always allow to cool (at least 15 minutes recommended) before replacing a worn spark cartridge.
- Observe all other product safety warnings and instructions as provided elsewhere in this manual.

 **WARNING:** Riding an electric product does present potential risks and caution is required. Like any electric product, the Ground Force Drifter Fury has inherent hazards associated with its use (for example, falling off or riding it into a hazardous situation). Like any electric product, the Ground Force Drifter Fury can and is intended to move and it is therefore, of course, possible to lose control or otherwise get into dangerous situations. Both children and adults responsible for supervising them must recognize that if such things occur, a rider can be seriously injured or die, even when using safety equipment and other precautions. **RIDE AT YOUR OWN RISK AND USE COMMON SENSE.**

 **WARNING: PARENTAL AND ADULT RESPONSIBILITY AND SUPERVISION IS NECESSARY:** Because products, like the Ground Force Drifter Fury, can and do present potential hazards plainly associated with their use, it is well recognized THE NEED FOR EXERCISE OF PARENTAL RESPONSIBILITY IN SELECTING ELECTRIC PRODUCTS APPROPRIATE TO THE AGE OF A CHILD, OR PARENTAL SUPERVISION IN SITUATIONS IN WHICH CHILDREN OF VARIOUS AGES MAY HAVE ACCESS TO THE SAME ELECTRIC PRODUCTS, IS IMPORTANT. Not every product is appropriate for every age or size of child, and different age recommendations are found within this category of product which are intended to reflect the nature of the hazards and the expected mental or physical ability, or both, of a child to cope with the hazards.

The recommended minimum rider age is 8 and older. Any rider unable to fit comfortably on the product should not attempt to ride it. A parent's decision to allow his or her child to ride this product should be based on the child's maturity, skill and ability to follow rules.

Keep this product away from small children and remember that it is intended for use only by persons who are, at a minimum, completely comfortable and competent while operating the product.

Persons with any mental or physical conditions that may make them susceptible to injury, impair their physical dexterity or mental capabilities to recognize, understand, and follow safety instructions and to be able to understand the hazards inherent in product use, should not use or be permitted to use products inappropriate for their abilities. Persons with heart conditions, head, back or neck ailments (or prior surgeries to these areas of the body), or pregnant women, should be cautioned not to operate such products.

DO NOT EXCEED THE WEIGHT LIMIT OF 140 lb (64 kg). Rider weight does not necessarily mean a person's size is appropriate to fit or maintain control of the Ground Force Drifter Fury.

CHECK AND MAINTAIN PRODUCT CONDITIONS

Before use, check to confirm that any and all chain guards or other covers and guards are in place and in serviceable condition. Check that the brake is functioning properly, and that tires have sufficient tread remaining. The product should be maintained and repaired in accordance with the manufacturer's specifications, using only the manufacturer's authorized replacement parts, and should not be modified from the manufacturer's original design and configuration.

ACCEPTABLE RIDING PRACTICES AND CONDITIONS

Always check and obey any local laws or regulations which may affect the locations where the Ground Force Drifter Fury may be used.

Ride defensively. Watch out for potential obstacles that could catch your wheel or force you to swerve suddenly or lose control. Be careful to avoid pedestrians, skaters, skateboards, scooters, bikes, children or animals who may enter your path, and respect the rights and property of others.

The Ground Force Drifter Fury is meant to be used on private property and on closed courses and not on public streets or sidewalks. Do not ride your electric product in any areas where pedestrian or vehicle traffic is present.

Do not activate the throttle unless you are on the product and in a safe, outdoor environment suitable for riding.

This product was manufactured for performance and durability but is not impervious to damage. Jumping or other aggressive riding can over-stress and damage any product, including the Ground Force Drifter Fury, and the rider assumes all risks associated with high-stress activity.

Be careful and know your limitations. Risk of injury increases as the degree of riding difficulty increases. The rider assumes all risk associated with aggressive riding activities.

Maintain a hold on the steering wheel at all times.

Never carry passengers or allow more than one person at a time to ride the electric product.

Never use near steps or swimming pools.

Do not allow hands, feet, hair, body parts, clothing, or similar articles to come in contact with moving parts of the product, wheels, drive train, or chain while the motor is running.

Do not touch the brakes or electric motor on your electric product when in use as they can become very hot.

Never use headphones, a cell phone or text when riding.

SAFETY WARNINGS

Never hitch a ride with another vehicle.

Do not ride the Ground Force Drifter Fury in wet or icy weather and never immerse the electric product in water, as the electrical and drive components could get damaged by water or possibly create other unsafe conditions.

Wet, slick, bumpy, uneven or rough surfaces may increase risks. Do not ride the electric product in mud, ice, puddles or water. Avoid excessive speeds that can be associated with downhill rides. Never risk damaging surfaces such as carpet or flooring by use of an electric product indoors.

Do not ride at night or when visibility is limited.

PROPER RIDING ATTIRE

Always wear proper protective equipment such as an approved safety helmet (with chin strap securely buckled). A helmet may be legally required by local law or regulation in your area. Elbow pads and kneepads, a long-sleeved shirt, long pants and gloves are recommended. Always wear athletic shoes (lace-up shoes with rubber soles) and keep shoelaces tied and out of the way of the wheels, motor and drive system. Never ride barefooted or in sandals.

USING THE CHARGER

The charger supplied with the electric product should be regularly examined for damage to the cord, plug, enclosure and other parts. In the event of such damage, the product must not be charged until the charger has been repaired or replaced.

Use only with the recommended charger.

Use caution when charging.

The charger is not a toy. Charger should be operated by an adult.

Do not operate charger near flammable materials.

Unplug charger and disconnect from product when not in use.

Always disconnect from the charger prior to wiping down and cleaning your product with damp cloth.

**FAILURE TO USE COMMON SENSE AND HEED THE ABOVE WARNINGS INCREASES RISK OF SERIOUS INJURY.
USE WITH APPROPRIATE CAUTION AND SERIOUS ATTENTION TO SAFE OPERATION.**

BEFORE YOU BEGIN

Remove contents from box. Remove the separators that protect the components from damage during shipping. Inspect the contents of the box for scratches in the paint, dents or kinked cables that may have occurred during shipping. Because the Ground Force Drifter Fury was 95 percent assembled and packed at the factory, there should not be any problems, even if the box has a few scars or dents.

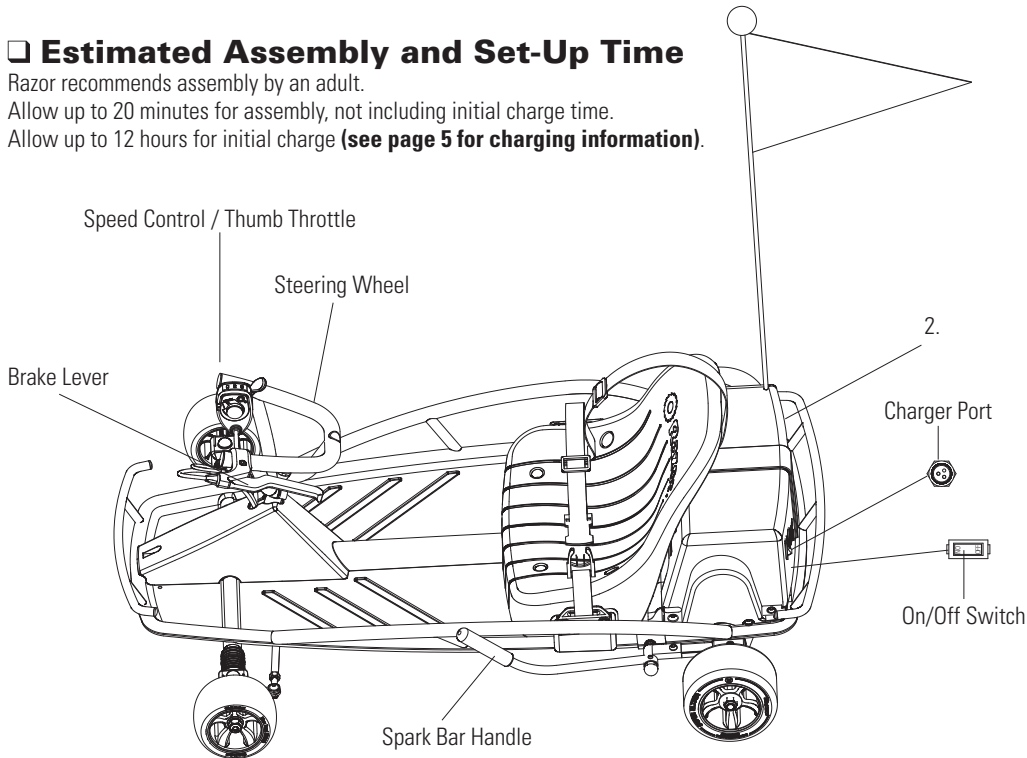
MAKE SURE POWER SWITCH IS TURNED "OFF" BEFORE CONDUCTING ANY ASSEMBLY OR MAINTENANCE PROCEDURES.

Estimated Assembly and Set-Up Time

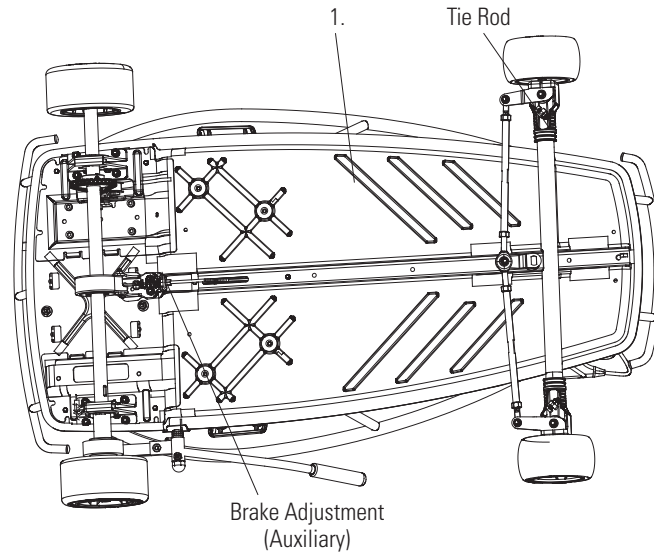
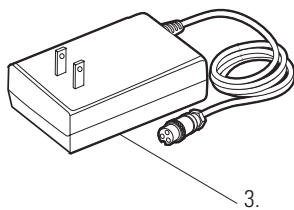
Razor recommends assembly by an adult.

Allow up to 20 minutes for assembly, not including initial charge time.

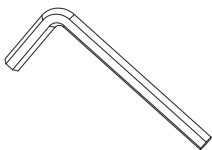
Allow up to 12 hours for initial charge (see page 5 for charging information).



Charger
(Note: Charger design may vary from one shown)



Required Tool



5 mm Allen wrench

WARNING:
DO NOT USE NON-RAZOR PARTS WITH YOUR PRODUCT.

The Ground Force Drifter Fury has been built to certain Razor design specifications. The original equipment supplied at the time of sale was selected on the basis of its compatibility with the frame and all other parts. Certain aftermarket components may not be compatible and will void the warranty.

Product ID Locations:

See locations to the left

1. Frame (underneath unit)
2. Battery Cover
3. Charger
4. Box - side of UPC (not shown)

NOTICE: The lap/shoulder belt arrangement supplied is not intended for use in larger, faster vehicles and is for "play" use only. It is not an ASTM-approved safety belt system and is not intended to function as an approved lap/shoulder/seat restraining device.

WARNING:
Turn off before conducting any maintenance procedures.

Plastic Bag Contents:

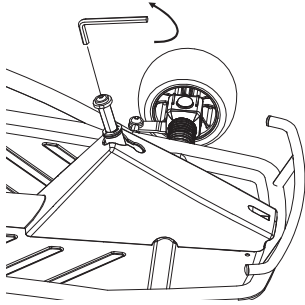
- Charger
- Tool
- Owner's Manual
- Seat Bolts (x4)
- 1 Extra Spark Cartridge

Need Help? Visit our web site for replacement parts, product support, a list of authorized service centers in the US and customer service contact information at www.razor.com. Please have the product I.D. code (located on the white label of your product) available for better assistance. Additional Customer Service contact information is listed at the back of this manual.

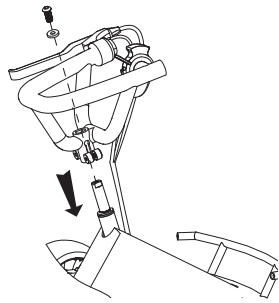
ASSEMBLY AND SET-UP

□ Attaching the Steering Wheel

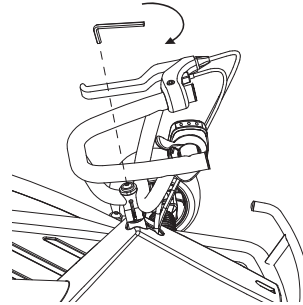
Tools required: 5 mm Allen wrench



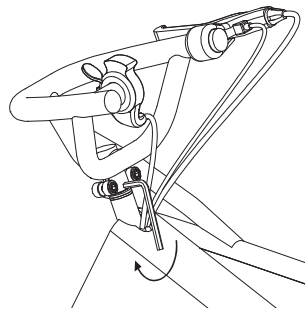
1 Using a 5 mm Allen wrench, loosen the screw located in the steering column.



2 Make sure the wires are not tangled. Insert the steering wheel, washer and screw into the steering column as shown.



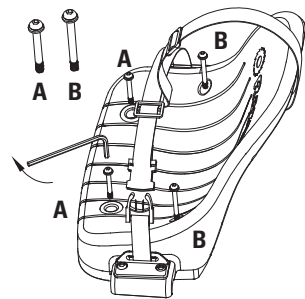
3 Tighten screw securely using a 5 mm Allen wrench.



4 Using a 5 mm Allen wrench, alternately tighten each of the bolts on the steering wheel clamp. When the bolts are properly tightened, the gap between the clamp halves should be even.

□ Attaching the Seat

Tools required: 5 mm Allen wrench



1 Position the seat over the frame and align it with the holes in the frame. Align the safety belt anchor holes to the holes in the seat and frame with the lap/shoulder assembly on the left and the receiver latch on the right. Insert the four (4) seat bolts and tighten securely.

⚠ WARNING:

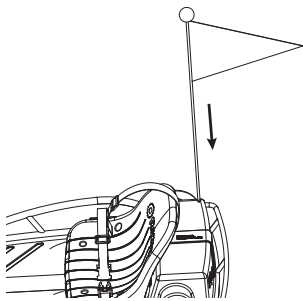
Failure to properly install and tighten the screws, nuts and bolts that affix the steering wheel and seat can cause you to lose control and crash.

⚠ WARNING:

The lap/shoulder belt arrangement supplied with the Ground Force Drifter Fury is for "play" use only. It is not an ASTM-approved safety belt system and is not intended to function as an approved lap/shoulder/seat restraining device.

ASSEMBLY AND SET-UP

□ Attaching the Flag



1 Locate the hole located on the top right side of the battery cover. Insert the flag.

CHARGING THE BATTERY

Your Ground Force Drifter Fury may not have a fully charged battery; therefore you must charge the battery prior to use.

- Initial charge time: 12 hours.
- Recharge time: up to 12 hours, even if the light turns green. Recommended maximum charging time is 24 hours.
- Always charge the battery immediately after riding.
- Fully charge battery before storing for extended periods of time.
- Unplug charger from the wall outlet when not in use.
- Failure to recharge battery periodically may result in a battery that will not accept a charge.
- Make sure the Ground Force Drifter Fury's power switch is turned **OFF** when unit is not in use. If the power switch is left on for an extended period of time, the battery may reach a stage at which it will no longer hold a charge.
- To ensure long battery life, never store the product in freezing or below freezing temperatures! Freezing will permanently damage the battery.
- Run time: Up to 40 minutes of continuous ride time. Run time may vary depending on riding conditions, rider weight, climate, and/or proper maintenance.
- Constant stopping and starting may shorten ride time.
- Average battery life for a properly maintained unit is approximately 250 charge/discharge cycles.

! WARNING:

Use **ONLY** with the recommended charger. Batteries are only to be charged under adult supervision. The charger is not a toy. Always disconnect the charger before wiping down and/or cleaning the Ground Force Drifter Fury with a damp cloth.

The charger supplied with the Ground Force Drifter Fury should be regularly examined for damage to the cord, plug, enclosure and other parts. In the event of such damage, the Ground Force Drifter Fury must not be charged until it has been repaired or replaced.

Chargers have built-in over-charge protection to prevent battery from being over-charged.

Note: If the charger gets warm during regular use, this is a normal response and is no cause for concern. If your charger does not get warm during use, it does not mean that it is not working properly.

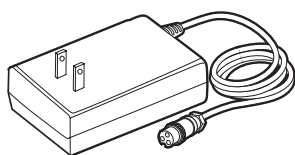
Wall outlet - Green (stand by)
Wall outlet and unit - Red (charging)
Wall outlet and unit - Green (charged)

Note: Continue charging unit even if light turns green prior to 12 hours.

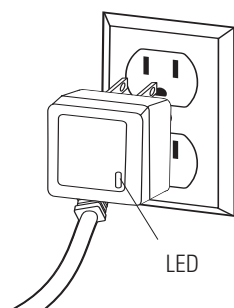
! WARNING:

Failure to recharge the battery at least once a month may result in a battery that will no longer accept a charge.

Charger

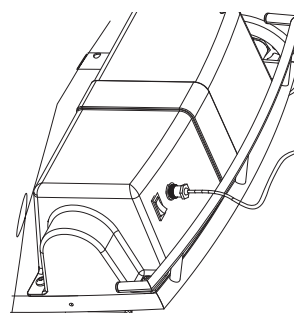


Note: Make sure power is turned **OFF** when unit is not in use. If the power switch is left on for an extended period of time, the battery may reach a stage at which it will no longer hold a charge.



1 Plug the charger plug into wall outlet. The light on the charger should be green.

Note: If green light (LED) does not turn on, try a different outlet.



2 Make sure the power switch is in the **OFF** position. Plug the charger into the charger port on the Ground Force Drifter Fury. The light on the charger should turn red during charging. The light will turn green again when charging is complete.

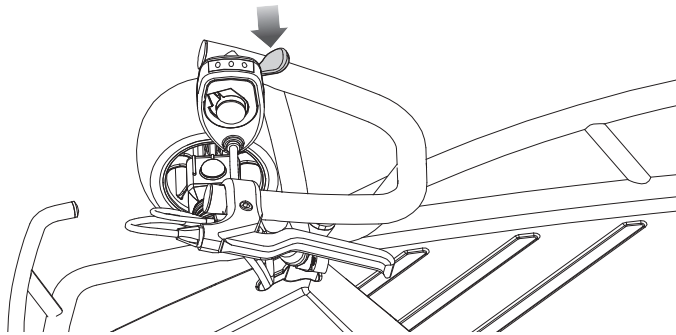
Need Help? Visit our web site for replacement parts, product support, a list of authorized service centers in the US and customer service contact information at www.razor.com. Please have the product I.D. code (located on the white label of your product) available for better assistance. Additional Customer Service contact information is listed at the back of this manual.

USAGE

□ How to Start

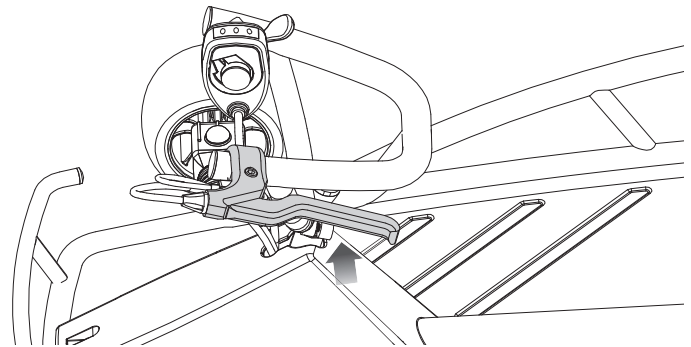
Position your body in the seat and place one foot on each side of the steering wheel. Fasten the lap/shoulder belt on. Turn power switch on, place both hands on the steering wheel and apply the thumb tab throttle.

Note: Keep hands on the steering wheel and both feet inside the unit when unit is in motion.

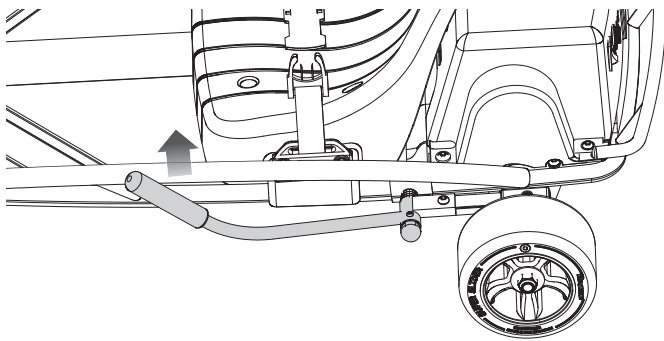


□ How to Stop

Release the thumb tab throttle and apply the brake lever until the unit comes to a complete stop.



To activate the sparking feature, pull up on the Spark Bar handle (no more than 5 seconds at a time), then release. Allow 20 seconds between sparks to prevent overheating the spark components.



PRE-RIDE CHECKLIST



Brake

Check the brake for proper function. When you squeeze the lever, the brake should provide positive braking action. When you apply the brake with the speed control on, the brake cut-off switch will stop the motor.



Wheels

Practice drift driving only in wide open areas clear from curbs, parking blocks and other obstacles. Impacting the wheels against any hard surface can damage the wheels. Wheels are not covered under your limited warranty.



Frame, Fork and Handlebars

Check for cracks or broken connections. Although broken frames are rare, it is possible for an aggressive rider to run into a curb or object, and wreck and bend or break a frame. Get in the habit of inspecting your Ground Force Drifter Fury on a regular basis.



Hardware/Loose Parts

Before every ride, check all parts, such as nuts, bolts, cables, fasteners, etc., to ensure they are secure and assembled correctly. There should not be any unusual rattles or sounds from loose parts or broken components. If the unit is damaged, do not ride. **Reference "Safety Warnings" on pages 1 and 2 of this manual.**



Safety Gear

Always wear proper protective gear, such as an approved safety helmet. Elbow pads and kneepads are recommended. Always wear athletic shoes (lace-up shoes with rubber soles) and keep shoelaces tied and out of the way of the wheels, motor and drive system. **NEVER RIDE BAREFOOTED OR IN SANDALS.**



Laws and Regulations

Always check and obey any local laws or regulations.

REPAIR AND MAINTENANCE

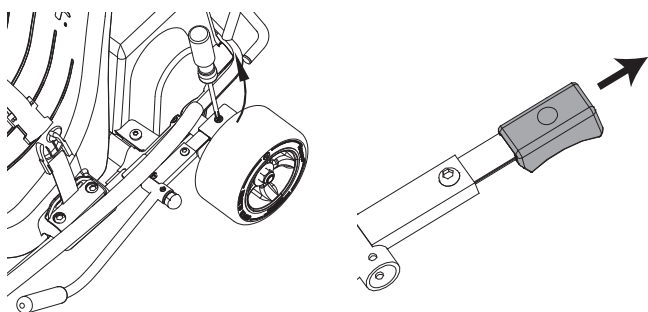
Turn power switch off before conducting any maintenance procedures.

- Read the instructions
- Remove charger plug
- Turn the power switch off
- Secure the unit under repair
- Exercise caution around exposed parts
- Contact Razor customer service if unsure about any repair or maintenance

□ Replacing the Spark Cartridge

Friction during sparking will eventually wear out the replaceable cartridge and cause the Ground Force Drifter Fury to stop making sparks. Worn out cartridges must be replaced.

Tools Required: Phillips screwdriver



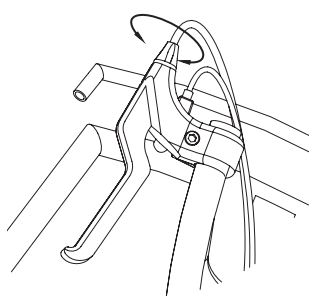
1 Using a Phillips screwdriver, loosen the screw on the spark cartridge and remove the cartridge.

2 Install replacement cartridge onto the Spark Bar and secure in place with screw.

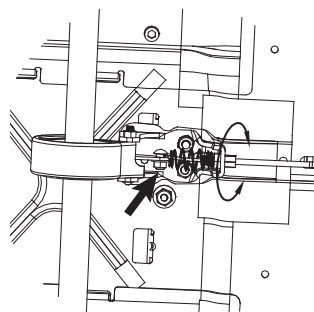
□ Testing the Brake

To use the brake, squeeze the lever to increase the pressure on the brake. The brake lever is fitted with a cable adjuster to compensate for cable stretch and/or to fine-tune the lever movement to brake engagement. If brake is not engaging properly, follow instructions for adjusting the brakes.

□ Adjusting the Brake



1 To adjust the brake, thread the adjuster in or out 1/4 to 1/2 turns until the desired brake adjustment is attained.



2 If the adjuster is threaded outward and the brake still has too much slack, use the auxiliary adjuster at the rear brake for additional adjustments.

Note: When properly adjusted, the brake lever will have approximately 3 mm of free play before the brake engages.

⚠ WARNING: Do not attempt to replace cartridge immediately after riding as cartridge will be hot. Handle only when cool.

⚠ WARNING: Keep fingers clear of Spark Bar hinge.

⚠ WARNING: Applying too much pressure on the Spark Bar may cause loss of control.

NOTE: Sparks and Spark Cartridge life will vary based on the amount of pressure applied to the Spark Bar and the length of time pressure is applied.

⚠ WARNING: Practice in an open area free from obstacles until you are familiar with the brake function. DO NOT RUN OVER ANY OBJECT AS IT COULD DAMAGE THE BRAKE OR DRIVE TRAIN.

Note: The brake lever contains a safety switch to cut off power to the motor when the brake is applied. In an emergency, applying the brake will always stop the product from moving. Do not disable or replace this lever with anything other than a genuine Razor replacement part.

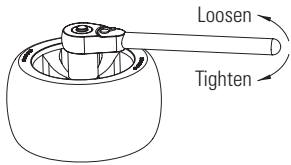
Need Help? Visit our web site for replacement parts, product support, a list of authorized service centers in the US and customer service contact information at www.razor.com. Please have the product I.D. code (located on the white label of your product) available for better assistance. Additional Customer Service contact information is listed at the back of this manual.

REPAIR AND MAINTENANCE

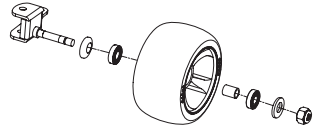
Turn power switch off before conducting any maintenance procedures.

□ Replacing the Wheels

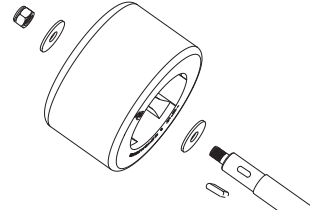
Tools Required: 13 mm wrench (front wheels), 17 mm wrench (rear wheels)
Front and rear wheel installation and removal are the same.



1 Removal: To remove a wheel, remove the self-locking nut. Tap the wheel to remove.



2 Front Wheel Installation: Make sure the bearings are properly seated and the center spacer is installed. Position the wheel with the **Razor logo facing outward**. Install the washer and tighten the self-locking nut securely.

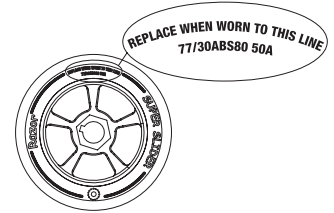


3 Rear Wheel Installation: Make sure the key way is properly seated in the rear axle and aligned with the key way in the wheel. Position the wheel with the **Razor logo facing outward**. Install the washer and tighten the self-locking nut securely.

Note: The Ground Force Drifter Fury's left wheel (Spark Bar handle side) has additional hardware.

⚠ WARNING:

Failure to properly adjust and tighten the screws, nuts and bolts that affix the wheels can cause you to lose control and crash.



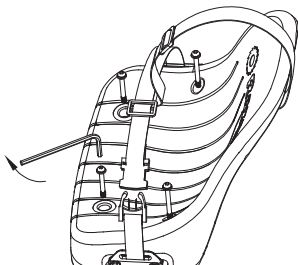
Note: The Ground Force Drifter Fury wheels must be replaced when worn down to the wear indicator line.

Note: Practice drift riding only in wide open areas clear from curbs, parking blocks and other obstacles. Impacting the wheels against any hard surface can damage the wheels. Wheels are not covered under your limited warranty.

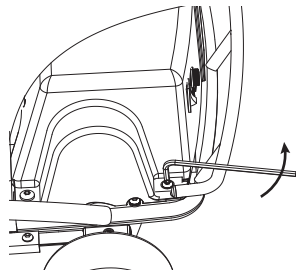
Turn power switch off before conducting any maintenance procedures. Before you begin, carefully turn unit upside down for easier access.

□ Removing Rear Axle

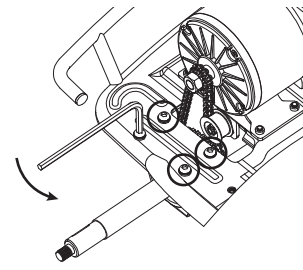
Tools Required: 5 mm Allen wrench, 10 mm wrench, 17 mm wrench



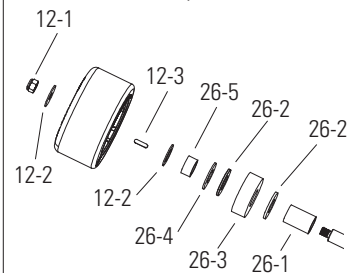
1 Using a 5 mm Allen wrench, loosen the four (4) seat bolts and remove seat.



2 Loosen the four (4) 5 mm bolts (two on each side) on the battery cover and remove cover.



3 Remove the eight (8) bolts (four on each side) that attach the brackets to the frame.

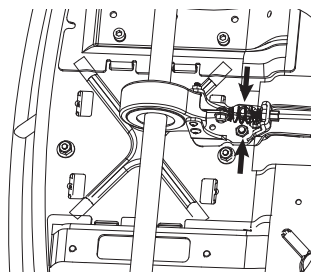


Left Side (Spark Bar Handle)

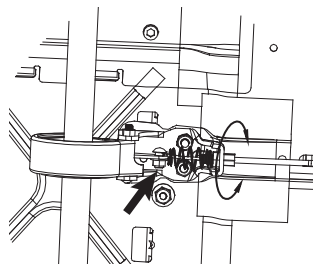
- 12-1 Nut
- 12-2 Washer

Wheel

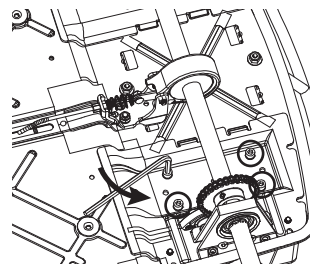
- 12-3 Key Way
- 12-2 Washer
- 26-5 Spacer (Small)
- 26-4 Rubber Washer
- 26-2 Washer (Large)
- 26-3 Spark Stone
- 26-2 Washer (Large)
- 26-1 Spacer (Large)



4 Carefully turn unit over and loosen the two (2) bolts next to the brake cable.

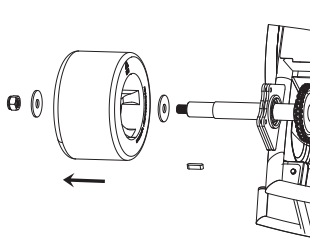


5 Using a 10 mm wrench, loosen the nut that holds the brake cable and pull cable outward.

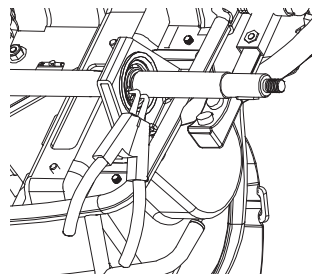


6 Using a 5 mm Allen wrench, loosen the four (4) bolts holding the motor to the frame. Carefully lower the motor and remove chain from around the motor sprocket.

REPAIR AND MAINTENANCE



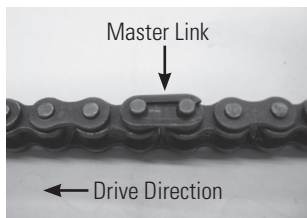
7 Using a 17 mm wrench, loosen the lock nut on both rear wheels and remove wheels. If necessary, gently tap rear wheel with a rubber mallet to help loosen wheel off the rear axle.



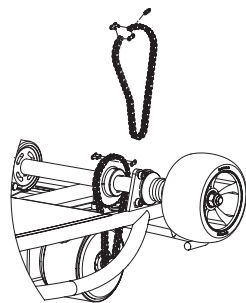
8 Remove the two (2) "C" clips (one on each side). Remove the two (2) brackets that hold the rear axle in place and remove axle.

Turn power switch off before conducting any maintenance procedures.

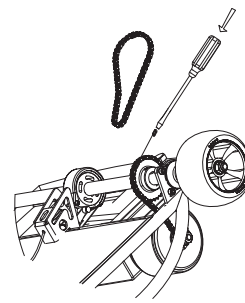
❑ Replacing the Chain



1 Locate the master link on the replacement chain and with a flat head screwdriver carefully disengage the clip from the chain to remove the link plate and connector link.



2 Wrap the chain around both sprockets and tension idler. Insert the connector link all the way through the chain and fit the link plate over the connector link.



3 Using a flat head screwdriver, carefully re-attach the clip on to the link plate. The clip must point in the drive direction of chain rotation.

Note: Chain should be periodically checked for grime build-up. If necessary remove any dirt and/or debris in and around the chain and re-lubricate with WD-40®.

Master Link:



Clip

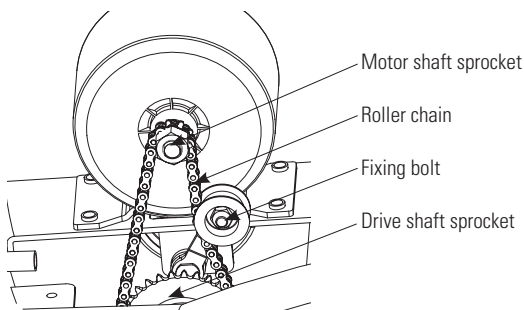


Link Plate



Connector Link

❑ Self Adjusting Chain Tensioner



Note: Proper alignment of the chain must be maintained. If the chain is adjusted properly, but is noisy or rough running, check alignment of the sprockets. The drive-shaft sprocket can be adjusted slightly from side-to-side by loosening the set screw. Note that a key way maintains the drive position to the shaft.

Need Help? Visit our web site for replacement parts, product support, a list of authorized service centers in the US and customer service contact information at www.razor.com. Please have the product I.D. code (located on the white label of your product) available for better assistance. Additional Customer Service contact information is listed at the back of this manual.

REPAIR AND MAINTENANCE

❑ Battery Care and Disposal

Do not store in freezing or below freezing temperatures. To properly maintain your battery and ensure maximum battery life, carefully read the "Charging the Battery" section on page 5 of this owner's manual.



CONTAINS SEALED LEAD ACID BATTERIES. BATTERIES MUST BE RECYCLED.

Disposal: Your Razor product uses sealed lead-acid batteries which must be recycled or disposed of in an environmentally safe manner. Do not dispose of a lead-acid battery in a fire. The battery may explode or leak. Do not dispose of a lead-acid battery in your regular household trash. The incineration, land filling or mixing of sealed lead-acid batteries with household trash is prohibited by law in most areas. Return exhausted batteries to a federal or state approved lead-acid battery recycler or a local seller of automotive batteries. If you live in Florida or Minnesota, it is prohibited by law to throw away lead-acid batteries in the municipal waste stream.

❑ Charger

The charger supplied with the Ground Force Drifter Fury should be regularly examined for damage to the cord, plug, enclosure and other parts, and in the event of such damage, the product must not be charged until it has been repaired or replaced.

Use **ONLY** with the recommended charger.

❑ Wheels

Wheels and drive system are subject to normal wear and tear. It is the responsibility of the user to periodically inspect wheels for excess wear and adjust and replace drive train components as required.

❑ Replacement Parts

The most frequently requested replacement parts are available for purchase at some Razor retail partners. For the complete selection of replacement parts visit www.razor.com/shop.

❑ Repair Centers

For a list of authorized Razor repair centers:

- Check online at www.razor.com.
- Additional Customer Service contact information is listed on the back of this manual.

⚠ WARNING:

If a battery leak develops, avoid contact with leaking acid and place the damaged battery in a plastic bag. Refer to the disposal instructions at left. If acid comes into contact with skin or eyes, flush with cool water for at least 15 minutes and contact a physician.

⚠ WARNING:

Battery posts, terminals and related accessories contain lead and lead compounds. **Wash your hands after handling.**

TROUBLESHOOTING GUIDE

*Unit(s) should be turned off and fully charged prior to doing any Troubleshooting

NOTE: All troubleshooting steps should be performed by an adult only

Problem	Possible Cause	Solution
Product does not run.	Product is rolling backwards.	Throttle will not engage if the product is rolling backwards. Come to a complete stop and then activate the throttle.
	Undercharged battery.	Charge the battery. A new battery should have been charged for at least 12 hours before using the product for the first time and up to 12 hours after each subsequent use. Check all connectors. Make sure the charger connector is tightly plugged into the charging port and that the charger is plugged into a functioning wall outlet.
	Charger is not working.	Contact Razor Customer Service to get replacement charger.
Product was running but suddenly stopped.	Loose wires or connectors.	Check all wires and connectors to make sure they are tight.
Short run time.	Undercharged battery.	Charge the battery. A new battery should have been charged for at least 12 hours before using the product for the first time and up to 12 hours after each subsequent use.
	Battery is old and will not accept full charge.	Even with proper care, a rechargeable battery does not last forever. Average battery life is 1 to 2 years depending on product use and conditions. Replace only with a Razor replacement battery.
Product runs sluggishly.	Riding conditions are too stressful.	Use only on solid, flat, clean and dry surfaces such as pavement or level ground.
	Product is overloaded.	Make sure you do not overload the product by allowing more than one rider at one time, exceeding the maximum weight limit, going up too steep a hill or towing objects behind the product.
Sometimes the product doesn't run, but other times it does.	Loose wires or connectors.	Check all wires connectors to make sure they are tight.
	Motor or electrical switch damage.	Contact your local Razor authorized service center for diagnosis and repair. Contact Razor customer service or visit www.razor.com .
Charger gets warm during use.	Normal response to charger use.	No action required. This is normal for some chargers and is no cause for concern. If your charger does not get warm during use, it does not mean that it is not working properly.
Product makes loud noises or grinding sounds.	Chain is too dry.	Apply a lubricant such as 3 in 1™ or Tri-Flow™ to the chain.

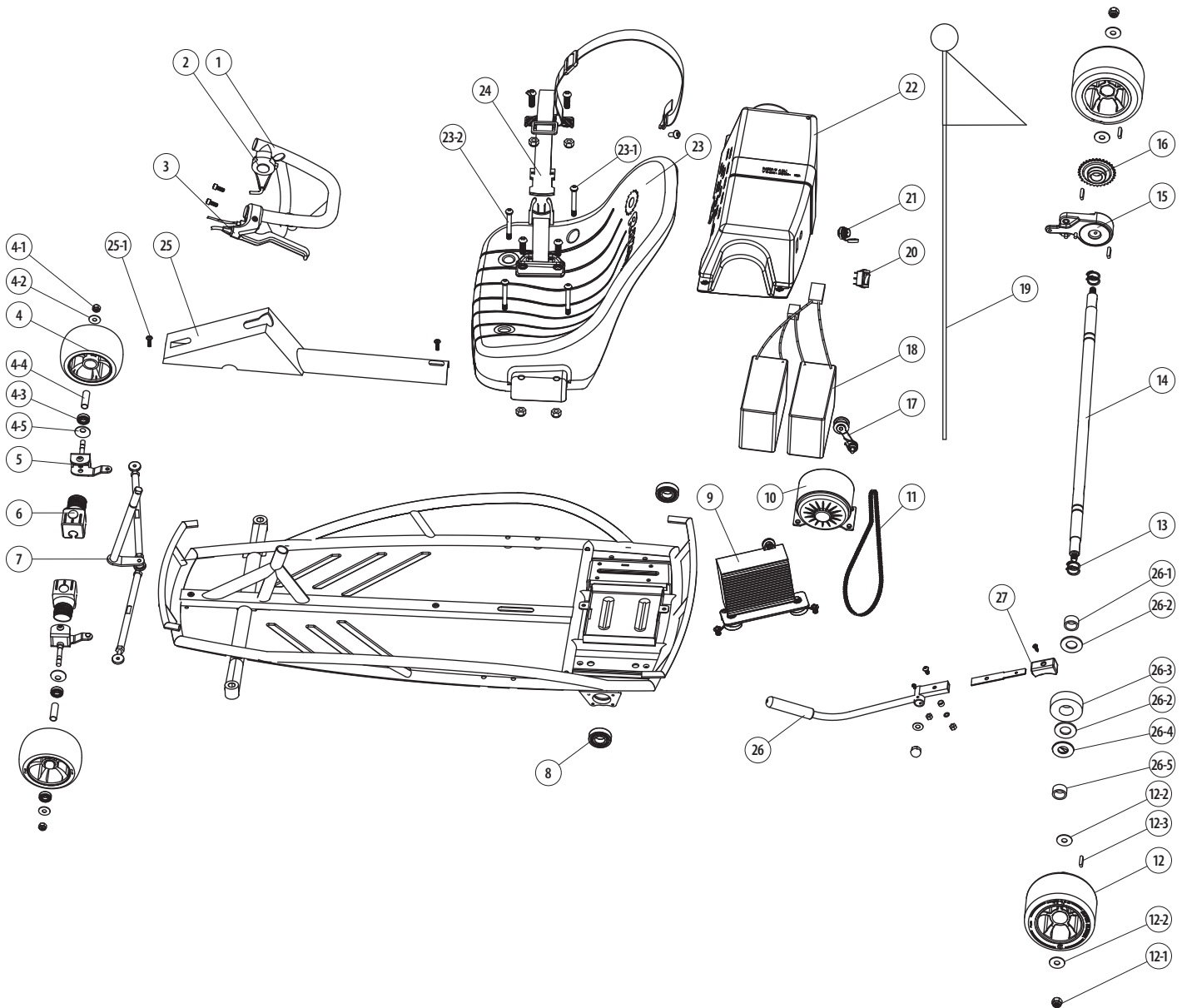
For more troubleshooting tips, a list of available replacement parts or to locate an authorized Service Center in your area, visit our website at www.razor.com or call toll free +1 866 467 2967 to speak to a live Customer Service Representative

Need Help? Visit our web site for replacement parts, product support, a list of authorized service centers in the US and customer service contact information at www.razor.com. Please have the product I.D. code (located on the white label of your product) available for better assistance. Additional Customer Service contact information is listed at the back of this manual.

GROUND FORCE DRIFTER FURY PARTS

Keep your Ground Force Drifter Fury running for years with genuine Razor parts. Visit our web site or e-mail us for more information on spare part availability. (Specifications subject to change without notice.)

- | | | |
|--------------------------------------|---|-------------------------------|
| 1. Steering Wheel | 11. Chain | 22. Battery Cover |
| 2. Thumb Tab Throttle | 12. Rear Wheel (x2) | 23. Seat |
| 3. Brake Lever | 12-1 Nut, M10 Nylock Self Locking & Washer (x2) | 23-1 Long Coupling Bolt (x2) |
| 4. Front Wheel (x2) | 12-2 Washer (x2) | 23-2 Short Coupling Bolt (x2) |
| 4-1 Nut, M8 Nylock Self Locking (x2) | 12-3 Key Way A 5X5x20 (x2) | 24. Safety Belt |
| 4-2 Washer (x2) | 13. C-Clips (x2) | 25. Steering Cover |
| 4-3 Bearing 608Zz 8X22 (x4) | 14. Rear Axle | 25-1 Screw M5x16 (x4) |
| 4-4 Front Wheel Spacer (x2) | 15. Brake Drum | 26. Spark Bar Handle |
| 4-5 Spring Washer | 16. Sprocket | 26-1 Spacer (Large) |
| 5. Spindle (Right/Left) | 17. Chain Tensioner | 26-2 Washer (Large) (x2) |
| 6. Protector (x2) | 18. Battery with Fuse (12V / 7Ah) (x2) | 26-3 Spark Stone |
| 7. Steering Assembly | 19. Flag | 26-4 Rubber Washer |
| 8. Axle Bearing 6904Zz 20X37 (x2) | 20. On/Off Switch | 26-5 Spacer (Small) |
| 9. Control Module | 21. Charger Port | 27. Spark Cartridge |
| 10. Motor (250W) | | |



Need Help? Visit our web site for replacement parts, product support, a list of authorized service centers in the US and customer service contact information at www.razor.com. Please have the product I.D. code (located on the white label of your product) available for better assistance. Additional Customer Service contact information is listed at the back of this manual.

NOTICE: INSURANCE
YOUR INSURANCE POLICIES MAY NOT PROVIDE COVERAGE FOR
ACCIDENTS INVOLVING THE USE OF THIS SCOOTER/ELECTRIC
RIDE-ON PRODUCT. TO DETERMINE IF COVERAGE IS PROVIDED,
YOU SHOULD CONTACT YOUR INSURANCE COMPANY OR AGENT.

FCC COMPLIANCE

This device complies with Part 15 of the FCC Rules. Operation is subject to the following two conditions: (1) This device may not cause harmful interference, and (2) this device must accept any interference received, including interference that may cause undesired operation.

Note: This equipment has been tested and found to comply with the limits for a Class B digital device, pursuant to part 15 of the FCC Rules. These limits are designed to provide reasonable protection against harmful interference in a residential installation. This equipment generates, uses and can radiate radio frequency energy and, if not installed and used in accordance with the instructions, may cause harmful interference to radio communications. However, there is no guarantee that interference will not occur in a particular installation. If this equipment does cause harmful interference to radio or television reception, which can be determined by turning the equipment off and on, the user is encouraged to try to correct the interference by one or more of the following measures:

- Reorient or relocate the receiving antenna.
- Increase the separation between the equipment and receiver.
- Connect the equipment into an outlet on a circuit different from that to which the receiver is connected.
- Consult the dealer or an experienced radio/TV technician for help.

⚠ WARNING: Changes or modifications to this unit not expressly approved by Razor USA, could void the user's authority to operate the equipment.

WARRANTY

Razor Limited Warranty

The manufacturer warrants this product to be free of manufacturing defects for a period of 90 days from date of purchase. This Limited Warranty does not cover normal wear and tear, tires, tubes or cables, or any damage, failure or loss caused by improper assembly, maintenance, storage or use of the Razor Ground Force Drifter Fury.

This Limited Warranty will be void if the product is ever:

- used in a manner other than for recreation or transportation;
- modified in any way;
- rented.

The manufacturer is not liable for incidental or consequential loss or damage due directly or indirectly to the use of this product.

Razor does not offer an extended warranty. If you have purchased an extended warranty, it must be honored by the store at which it was purchased.

For your records, save your original sales receipt with this manual and write the serial number below.

CUSTOMER SERVICE CONTACT INFORMATION

Need Help? Visit our web site for replacement parts, product support, a list of authorized service centers in the US and customer service contact information at www.razor.com. Please have the product I.D. code (located on the white label of your product) available for better assistance. Additional Customer Service contact information is listed below:

UNITED STATES

Razor USA LLC
P.O. Box 3610
Cerritos, CA 90703
USA

+1 866 467 2967
Monday - Friday
8:00 AM - 5:00 PM Pacific Time

EUROPE

Razor USA (Europe)
Handelsweg 2
2742 RD Waddinxveen
Netherlands

+44 (0) 120 267 2702

ASIA

Razor USA (Asia)
P.O. Box 3610
Cerritos, CA 90703
USA

+81 50 7579 6622
info@razor-asia.com

DISTRIBUTED IN THE UK BY:

Re:creation Limited
2 Meadows Business Park
Station Approach, Blackwater
Camberley, Surrey GU17 9AB
United Kingdom

+44 (0) 118 973 6222 *Tel*
+44 (0) 118 973 6220 *Fax*
sales@recreationltd.co.uk

DISTRIBUTED IN AUSTRALIA BY:

Funtastic Limited
Level 2, Tower 2, Chadstone Place
1341 Dandenong Road
Chadstone VIC 3148
Australia

+1 800 244 543

Printed in China for Razor USA LLC.

Copyright © 2003-2014 Razor USA, LLC. All rights reserved. Ground Force®, Razor® and the Razor logo design are among the registered trademarks of Razor USA LLC in the United States and/or select foreign countries. Ground Force Drifter Fury is a trademark of Razor USA LLC.